

Serene Elite

User's Manual

Care for a Healthy Life



CONTENTS

ALTERNATING PRESSURE REDISTRIBUTION SYSTEM

USER'S MANUAL 1

SYSTÈME À REDISTRIBUTION DE PRESSION ALTERNATIVE

MANUEL DE L'UTILISATEUR 19

SISTEMA DE REDISTRIBUCIÓN DE LA PRESIÓN ALTERNA

MANUAL DEL USUARIO 37

MODEL NO.: 9P-087000

PLEASE READ THE MANUAL BEFORE USE

IMPORTANT SAFEGUARDS

READ ALL INSTRUCTIONS BEFORE USING

DANGER - To reduce the risk of electrocution:

1. Always unplug this product immediately after using.
2. Do not use while bathing.
3. Do not place or store this product where it can fall or be pulled into a tub or sink.
4. Do not place in or drop into water or other liquid.
5. Do not reach for a product that has fallen into water. Unplug immediately.

WARNING - To reduce the risk of burns, electrocution, fire, or injury to persons:

1. Evaluate patients for entrapment risk according to protocol and monitor patients appropriately.
2. The product may be used for patients with spinal injury, but suggested to consult with physician before use. However, it should not be used for patients with unstable spinal fractures.
3. Close supervision is necessary when this product is used on or near children. Electrical burns or choking accident may result from a child swallowing a small part detached from the device.
4. Use this product only for its intended use as described in this manual. Do not use other mattresses not recommended by the manufacturer.
5. Do not operate this product if it seems to be damaged or has been dropped into water. Return the product to the point of purchase for examination and repair.
6. Keep the cord away from heated surfaces.
7. Never block any air openings of this product or place it on soft surfaces, such as a bed or couch, where openings may be blocked. Keep the air opening free of lint, hair, and other similar particles.
8. Never drop or insert any object into any opening or hose.
9. Do not modify this equipment without authorization of the manufacturer.
10. Mattress covers have passed skin sensitization and skin irritation test. However, if you suspect that you may have had or are having an allergic reaction, please consult a physician immediately.
11. Do not leave long lengths of tubing around the top of your bed. It could lead to strangulation.
12. Third conductor in the POWER SUPPLY CORD is only a functional earth.

CAUTION -

If there is a possibility of electro-magnetic interference with mobile phones, please increase the distance (3.3m) between devices or turn off the mobile phone.


















NOTE, CAUTION AND WARNING STATEMENTS:

NOTE - Indicate some tips.

CAUTION - Indicate correct operating or maintenance procedures in order to prevent damage to or destruction of the equipment or other property

WARNING - Calls attention to a potential danger that requires correct procedures or practices in order to prevent personal injury.

SYMBOLS

	Catalog, reorder or reference number
	Manufacturer
	Complies with standards protecting against electric shock for type BF equipment.
	Consult operating instructions for use
	Attention, should read the instructions.
	Attention, should read the instructions.
IP21 	Protected against solid foreign objects of 12.5 mm and greater; Protection against vertically falling water drops
	Class II
	Temperature limitation/temperature range
	Stand-by
	Dry clean, Any Solvent Except Trichloroethylene
	Do Not Iron
	Tumble Dry, Normal, Low Heat
	Do Not Tumble Dry
	Do Not Bleach
	Do Not Dry Clean
	Machine wash, regular / normal, 60 degrees C (140 degrees F)



Attention – Observe proper Disposal of Electrical & Electronic Equipment (WEEE): This product should be handed over to an appropriate collection point for the recycling of electrical and electronic equipment. For more detailed information about the recycling of this product, please contact your local city office, household waste disposal service or the retail store where you purchased this product.

1. Introduction

This manual should be used for initial set up of the system and for reference purposes.

1.1 General Information

The system is a high quality and affordable mattress system suitable for treatment and prevention of pressure ulcers.

The system has been tested and successfully approved to the following standards:

 FOR US AND CANADA ONLY



Le produit à été testé avec des équipements médicaux et respecte les normes ANSI/AAMI ES60601-1 / CAN/CSA C22.2 No.60601-1. prévenant les choc électrique, le feu et les risques de blessures physiques.

EMC Warning Statement

This equipment has been tested and found to comply with the limits for medical devices to the EN 60601-1-2. These limits are designed to provide reasonable protection against harmful interference in a typical medical installation. This equipment generates uses and can radiate radio frequency energy and, if not installed and used in accordance with the instructions, may cause harmful interference to other devices in the vicinity. However, there is no guarantee that interference will not occur in a particular installation. If this equipment does cause harmful interference to other devices, which can be determined by turning the equipment off and on, the user is encouraged to try to correct the interference by one or more of the following measures:

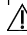
- Reorient or relocate the receiving device.
- Increase the separation between the equipment.
- Connect the equipment into an outlet on a circuit different from that to which the other device(s) are connected.
- Consult the manufacturer or field service technician for help.

1.2 Intended Use

This product is intended to help and reduce the incidence of pressure ulcers while optimizing patient comfort. It also provides following purposes:

- to help and reduce the incidence of pressure ulcers while optimizing patient comfort.
- for long term of patients suffering from pressure ulcers.
- for pain management as prescribed by a physician.

The product can only be operated by personnel who are qualified to perform general nursing procedures and have received adequate training in knowledge of prevention and treatment of pressure ulcer.

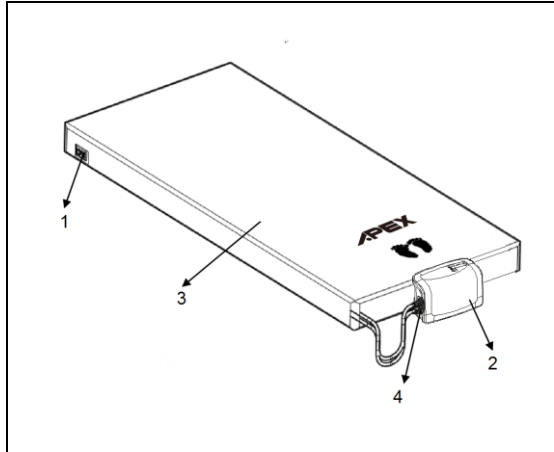
 **NOTE-** Equipments are not suitable for use in the presence of flammable anesthetic mixture with air or with oxygen or nitrous oxide.

2. Product Description

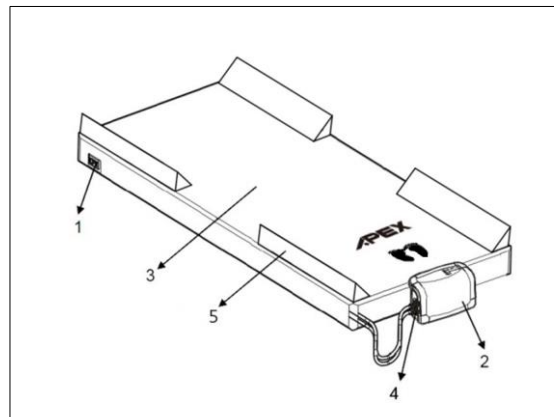
Unpack the box to check for any damage which may have occurred during shipment. If there are damages, please contact the point of purchase immediately.

2.1 Pump and Mattress System

1. CPR
2. Pump unit
3. Mattress System
4. Quick Connector



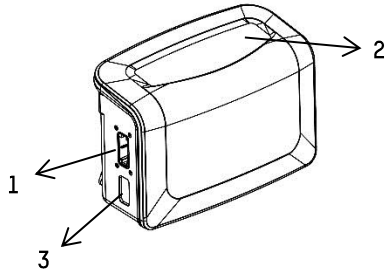
1. CPR
2. Pump unit
3. Mattress System
4. Quick Connector
5. Side Bolster (option)



2.2 Pump Unit

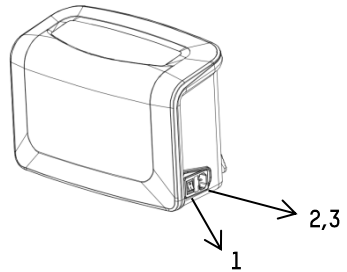
Front

1. Quick Connector
2. Front Panel
3. Air Filter



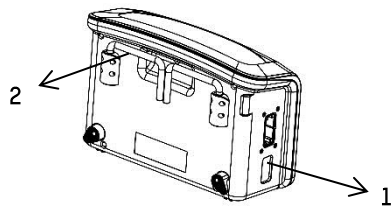
Side

1. Power Switch
2. Power Cord
3. Fuses

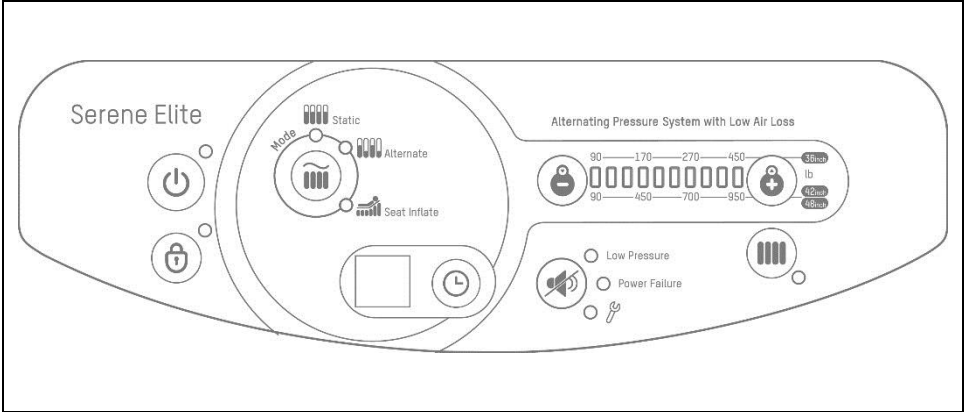


Rear



1. Air filter
2. Mounting brackets



2.3 Front Panel



1. Pressure Adjust Levels

1. This controls the air pressure output. When the firmness () is increased, the output pressure will increase and vice versa for decreasing () air pressure. When a patient's condition is significantly changed, please reassess the setting level.

⚠NOTE: The surface will go into Max firm automatically when the power switch is turned on. Once the max pressure level is reached, the pump will automatically switch into alternating mode.

⚠NOTE: Check if the pressure is suitable for the patient by sliding one hand beneath the air cells at the level of the patient's buttocks. Always leave at least 1" inch space between patient and the static cell to prevent bottoming out.


2. Cycle Time

There are four selectable cycle times found from the touch panel area. By pressing the button, user can select one of four cycle times based upon patient comfort and desired outcome.

3. Modes

A. Max Firm mode

The surface will go into Max firm automatically when the power switch is turned on. This insures the pump is able to reach its maximum operating pressure. Once the max pressure level is reached, the pump will automatically switch into alternating mode. User can also use this function during patient transfers or nursing procedures for better support.

 **NOTE:** Max Firm and preset function LED will be illuminated simultaneously until the mattress is reached to its maximum pressure.

B. Alternate Mode

Alternating air cells are partially deflated and inflated to avoid prolonged pressure on any single point beneath the patient.

C. Static Mode

Non-alternating mode, all of the air cells are equally inflated at lower pressures when compared to the respective comfort level in alternating mode.

D. Seat Inflation mode

The seat inflation features additional supports to the patient during upright position without bottoming out. User can select this additional feature under either static or alternate mode.

4. Panel Lock

If the control panel remains untouched for 5 minutes, a green LED will light and the control panel will lock all settings. This will prevent the settings from being accidentally changed during normal operation. To unlock, simply press the Panel lock button for **two** seconds.

5. Alarm Mute

When the Alarm Mute button is pressed, the buzzer will be temporarily suspended. If the situation is not resolved within 3 minutes, the alarm will activate.

A. PFA (Power Failure Alarm)

During a power failure situation, the Power Failure LED light and buzzer will activate. To disable both buzzer and LED, press the mute button.

B. Low Pressure Indicator

When low pressure LED lights up, the pressure inside of air mattress is below normal. Please refer to troubleshooting.

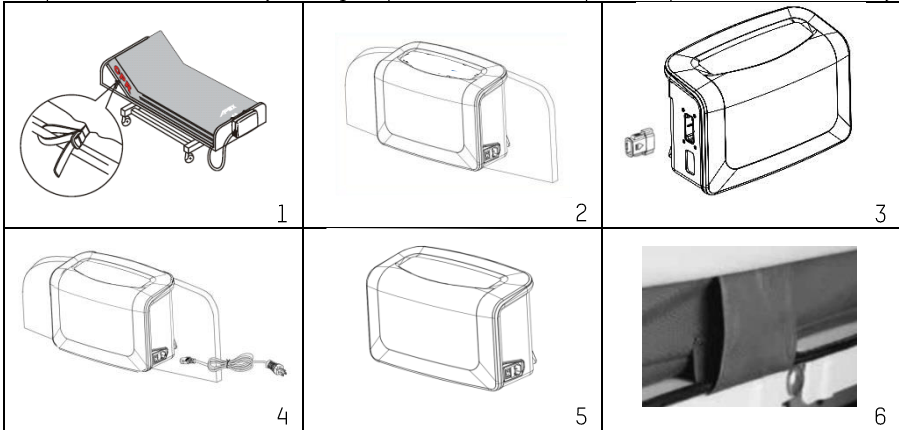
C. Tech. Support

The Service indicator light will activate when an issue occurs with the system. User can notify the technician for repair.

3. Installation

3.1 Pump & Mattress Installation

⚠ NOTE- Unpack the box to inspect for any damage which may have occurred during shipment. If there are any damages, please contact the point of purchase immediately.



1. Place the mattress or pad on top of the bed frame. Please note for the foot end. There are securing straps on the base of the mattress. Secure the mattress firmly by fixing the straps to the bed frame, ensure that moving sections of the bed frame are still free to move.

⚠ WARNING- The overlay mattress must be applied on the underlying mattress

2. Hang the pump onto bed rail (foot-end), and adjust hangers to best upright position of the pump, or place the pump on a flat surface.

3. Connect air hose connectors from air mattress to the pump unit. When a "click" sound is felt or heard, the connection is completed and secured.

⚠ NOTE- Check and ensure the air hoses are not kinked or tucked under mattress.

4. Plug the power cord into electrical outlet.

⚠ NOTE-

1. Make sure the pump unit is suitable for the local power voltage.
2. The plug is also served to disconnect the device.

5. Turn the power switch to ON position.

⚠ CAUTION- The pump can only be applied to the mattress recommended by the manufacturer. Do not use it for any other purpose. (Applied part: air mattress)

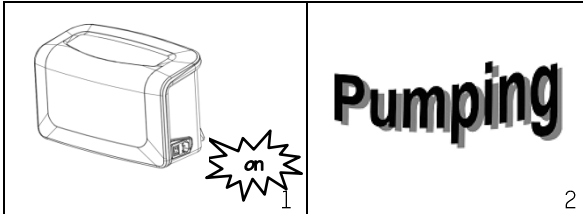
6. The cable management loops are provided along the sides of the mattress to cover the power cable. Please make sure the cable has no signs of damage. After installation, the extra length of the power cord, if any, should be neatly managed to avoid causing a trip and should be clear of moving bed mechanisms or other possible entrapment area.

The EQUIPMENT should be firmly placed at position where users/doctors can access easily.

4. Operation

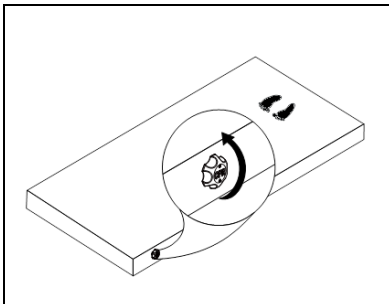
⚠NOTE- Always read the operating instruction before use.

4.1 General Operation



1. Turn on the power switch to run.
2. Allow 20-25 minutes for the mattress to inflate fully.
3. When the mattress sets up, it will execute the initial inflation (Maxifirm). The indicator of Maxifirm (LED) will constantly flash until the target pressure is reached, then the system will automatically enter the pre-set mode.
4. According to the weight and height of the patient, adjust the pressure setting to the most comfortable level without bottoming out. After the pressure in mattress reach the intended level, the air mattress is ready to use.

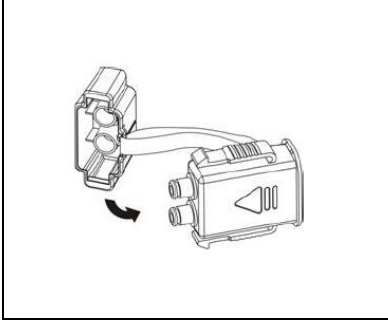
4.2 Emergency CPR Operations



⚠NOTE- When there is an emergency to perform CPR on the patient, quickly turn the CPR knob to release air from mattress. The CPR knob is located at the head-end, right-hand-side of the mattress. The quick connector on the pump unit can be disconnected for even faster deflation.

⚠NOTE- There will be 2 CPR knobs on the bariatric mattress (42" & 48").

4.3 Transportation



⚠NOTE- When there is a power outage or a need of transporting the patient, one can capped on the quick connector as shown on the left to slow the air leakage. Depending on the setting and mattress height, the mattress can remain inflated for a while.

⚠WARNING: If there is a bottom-out issue, please remove the patient from deflating mattress to another proper surface.

5. Cleaning

It is important to follow the cleaning procedures to avoid cross contamination. Be sure to clean the surface in a dry and dust free environment. Wipe down the pump unit with a damp cloth pre-soaked with a mild detergent. Avoid contact with dust and proximity to dusty areas. Make sure that any cleaning agents you use will not harm or corrode the plastic casing on the pump unit. If your doctor or medical facilities have other special cleaning instruction, please follow the professional instruction.

⚠CAUTION- Do not immerse or soak pump unit.

⚠WARNING- Do not remove the housing of the pump to avoid the electrical shock. All disassembly or repair should be done by professional technicians.

⚠CAUTION- The pump does not need oil lubrication; please do not dissemble the system.

<p>Cover Material:</p> <ul style="list-style-type: none"> Nylon/PU 	
--	--

Wipe-down the mattress unit with a damp cloth pre-soaked with warm water containing a mild detergent, or chlorine bleach followed by an approved intermediate level disinfectant. Also the mattress top cover can be completely removed for laundry with water temperature indicated on the laundry label; however, it is recommended that the user still check with local policy to determine the time/ temperature ratio required achieving thermal disinfection. The cover may also be cleaned using sodium hypochlorite diluted in water. After cleaning, please avoid dust and proximity to dusty areas and all parts should be air dried thoroughly before use.

⚠CAUTION- Do not use phenolic based products for cleaning.

⚠CAUTION- After cleaning, before cleaning process starts, remove the four foams inside the pockets when the **optional cover** with side bolster is used. Dry the mattress without direct exposure of sunlight.

6. Storage

1. To store the mattress, lay the mattress out flat and upside down.
2. Roll from the head end towards the foot end with CPR valve open.
3. Foot-end strap can then be stretched around the rolled mattress to prevent unrolling.

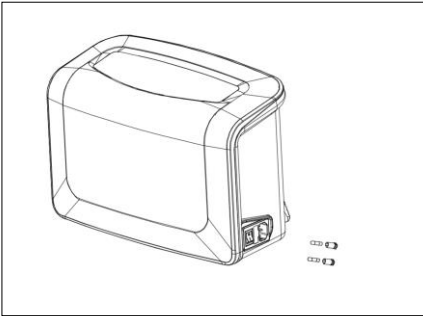
⚠️NOTE- Do not kink, crease or stack the mattresses and do not store the system in direct sunlight, high temperature or moisture area.

7. Maintenance

7.1 General

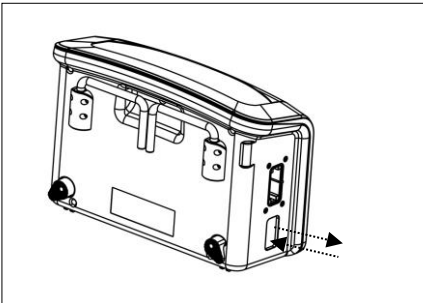
1. Check main power cord and plug if there is abrasions or excessive wear.
2. Check mattress cover for signs of wear or damage. Ensure mattress cover and tubes are stubbed together correctly.
3. Check airflow from the quick connector. The airflow should alternate between each connector every half-cycle time if it's in alternating mode.
4. Check the air hoses if there is kink or breaks. For replacement, please contact the point of purchase.

7.2 Fuse Replacement



1. Disconnect the plug from power supply when a blown fuse is suspected.
2. Use a proper tool to remove the cover of the fuse holder.
3. Insert a new fuse of the correct rating in, and replace the fuse holder back to correct position. The fuse should be rated as F1AL / 250V type.

7.3 Air Filter Replacement



1. Replace the air filter located at the side of pump.
2. The filter is reusable and can be washed gently with a mild detergent and water. Air dry the filter before use.
3. Check and replace air filter regularly.

8. Expected Service Life

The products are intended to offer safe and reliable operation when use or installed according to the instructions provided by Apex Medical. Apex Medical recommends that the system be inspected and serviced by authorized technicians if there are any signs of wear or concerns with device function and indication on products. Otherwise, service and inspection of the devices generally should not be required.

9. Trouble Shooting

Q1 Power is not ON

- Check if the power plug is connected.
- Check for a blown fuse.

Q2 Low Pressure Alarm is on

- Check if the Quick Connector is tightly secured.
- Check if all tubing connections along mattress are secured.
- Check if the air hoses are kinked or broken.

Q3 Power Failure Alarm is on

- Check if the power is suddenly shut down.
- Check if the power cord is connected properly.

Q4 Patient is bottoming out

- Pressure setting might be inadequate for the patient, adjust comfort range 1 to 2 levels higher and wait for a few minutes for best comfort.

Q5 Mattress form is loose

- Check if all the snap buttons or straps of mattress are all securely fastened.
- Check if the mattress is fixed to the bed frame by straps.

Q6 No air produced from some air outlets of the air tube connector

- This is normal since there is alternating mode. Air outlets take turns to produce air during their cycle time.

If the above information does not solve your problems, please contact the point of purchase directly. They might require a technician to take care the problem.

10. Technical Specification:

Item		Specification		
Power Supply (Note: See rating label on the product)		AC 110-120V 60 Hz, 0.17A		
Fuse Rating		F1A1, 250V		
Cycle time		Four selectable (10,15,20,25mins)		
Dimension (L x W x H)		34.0 x 15.0 x 23.4 cm / 13.4" x 5.9" x 9.2"		
Weight		3.1 Kg / 6.83 lb		
Environment	Atmospheric Pressure	700 hPa to 1060 hPa		
	Temperature	Operation: 10°C to 40°C (50°F to 104°F) Storage: -15°C to 50°C (5°F to 122°F) Shipping: -15°C to 70°C (5°F to 158°F)		
	Humidity	Operation: 10% to 90% non-condensing Storage: 10% to 90% non-condensing Shipping: 10 % to 90% non-condensing		
Classification		Class II With Function Earth, Type BF, IP21 Applied Part: Air Mattress Not suitable for use in the presence of a flammable anesthetic mixture (No AP or APG protection)		
Mattress		Specification		
Model		8" Mattress		
sizes of mattress		36" mattress	42" mattress	48" mattress
Dimension (L x W x H)		200 x 90 x 20.3cm 78.7" x 35.4" x 8"	200 x 107 x 20.3 cm 78.7" x 42" x 8"	200 x 122 x 20.3 cm 78.7" x 48" x 8"
Weight		7.5 kgs / 16.5 lbs	8.5 kgs / 18.8 lbs	9.5 kgs / 21.0 lbs
Maximum Weight Capacity		200 kgs/ 450 lbs	430 kgs 950 lbs	430 kgs 950 lbs

NOTE-


1. Consult the distributor or EU representative for further technical documents.
2. The specification is also suitable for other areas operating with same power supply.
3. Mattress dimension and weight is measured without foam cushion
4. The manufacturer reserves the right to modify the specification without notice.

Appendix A: EMC Information

Guidance and Manufacturer’s Declaration- Electromagnetic Emissions:

This device is intended for use in the electromagnetic environment specified below. The user of this device should make sure it is used in such an environment.

Emissions Test	Compliance	Electromagnetic Environment-Guidance
RF emissions CISPR 11	Group1	The device is suitable for use in all establishments, including domestic establishments and those directly connected to the public low-voltage power supply network
RF emissions CISPR 11	Class B	
Harmonic emissions IEC61000-3-2	Class A	
Voltage fluctuations / Flicker emissions IEC61000-3-3	Complies	


 **Warning:**

1. The device should not be used adjacent to or stacked with other equipment. If adjacent or stacked use is necessary, the device should be observed to verify normal operation in the configuration in which it will be used.
2. Use of accessories, transducers and cables other than those specified or provided by the manufacturer of this equipment could result in increased electromagnetic emissions or decreased electromagnetic immunity of this equipment and result in improper operation.
3. Portable RF communications equipment (including peripherals such as antenna cables and external antennas) should be used no closer than 30 cm (12 inches) to any part of the Pump, including cables specified by the manufacturer. Otherwise, degradation of the performance of this equipment could result.

Guidance and Manufacturer's Declaration- Electromagnetic Immunity:

This device is intended for use in the electromagnetic environment specified below. The user of this device should make sure it is used in such an environment.

Basic EMC standard	Immunity Test Levels		Compliance Levels	Electromagnetic Environment-Guidance
	Professional healthcare facility environment	HOME HEALTHCARE ENVIRONMENT		
Electrostatic Discharge (ESD) IEC61000-4-2	±8kV contact ±15kV air		±8kV contact ±15kV air	Floors should be wood, concrete or ceramic tile. If floors are covered with synthetic material, the relative humidity should be at least 30 %.
Electrical fast transient/ burst IEC61000-4-4	±2kV for power supply line ±1kV for input/output line		±2kV for power supply line ±1kV for input/output line	Mains power quality should be that of atypical commercial or hospital environment
Surge IEC61000-4-5	± 1 kV line(s) to line(s) ± 2 kV line(s) to earth	± 1 kV line(s) to line(s)	± 1 kV line(s) to line(s) ± 2 kV line(s) to earth	Mains power quality should be that of atypical commercial or hospital environment.
Voltage dips, short interruptions and voltage variations on power supply input lines IEC61000-4-11	Voltage Dips: i) 100% reduction for 0.5 period, ii) 100% reduction for 1 period, iii) 30% reduction for 25/30 period, Voltage Interruptions: 100% reduction for 250/300 period		120V	Mains power quality should be that of a typical commercial or hospital environment. If the user of this device requires continued operation during power mains interruptions, it is recommended that the device be powered from an uninterruptible power supply or a battery.
Power frequency (50/60Hz) magnetic field IEC61000-4-8	30 A/m	30 A/m	30 A/m	Power frequency magnetic fields should be at levels characteristic of a typical location in a typical commercial or hospital environment.
Conducted RF IEC 61000-4-6	3 Vrms 0,15 MHz – 80 MHz 6 Vrms in ISM bands between 0,15 MHz and 80 MHz 80 % AM at 1 kHz	3 Vrms 0,15 MHz – 80 MHz 6 Vrms in ISM and amateur radio bands between 0,15 MHz and 80 MHz 80 % AM at 1 kHz	6Vrms	Portable and mobile RF communications equipment should be used no closer to any part of this device, including cables, than there commended separation distance calculated from the equation applicable to the frequency of the transmitter.
Radiated RF EM Fields IEC61000-4-3	3 V/m 80 MHz to 2.7 GHz 80 % AM at 1 kHz 385-6000 MHz,	10 V/m 80 MHz to 2,7 GHz 80 % AM at 1 kHz 385-6000 MHz,	3V/m	Recommended separation distance $d = \sqrt{P}$ 150kHz to 80MHz $d = 0.6\sqrt{P}$ 80MHz to 800MHz $d = 1.2\sqrt{P}$ 800 MHz to 2.7GHz

	<p>9-28V/m, 80% AM(1kHz) pulse mode and other modulation</p>	<p>9-28V/m, 80% AM(1kHz) pulse mode and other modulation</p>	<p>Where P is the maximum output power rating of the transmitter in watts (W) according to the transmitter manufacturer and d is the recommended separation distance in meters (m).^d</p> <p>Field strengths from fixed RF transmitters, as determined by an electromagnetic site survey,^a should be less than the compliance level in each frequency ranged.</p> <p>Interference may occur in the vicinity of equipment marked with the following symbol:</p> 
--	--	--	---

NOTE 1: U_i is the a.c. mains voltage prior to the application of the test level
 NOTE 2: At 80 MHz and 800 MHz, the higher frequency range applies.
 NOTE 3: These guidelines may not apply in all situations. Electromagnetic propagation is affected by absorption and reflection from structures, objects and people

- a) Field strengths from fixed transmitters, such as base stations for radio (cellular/cordless) telephones and land mobile radios, amateur radio, AM and FM radio broadcast and TV broadcast cannot be predicted theoretically with accuracy. To assess the electromagnetic environment due to fixed RF transmitters, an electromagnetic site survey should be considered. If the measured field strength in the location in which the device is used exceeds the applicable RF compliance level above, the device should be observed to verify normal operation. If abnormal performance is observed, additional measures may be necessary, such as reorienting or relocating the device.
- b) Over the frequency range 150 kHz to 80 MHz, field strengths should be less than 10 V/m.

Recommended separation distances between portable and mobile RF communications equipment and this device:

This device is intended for use in an electromagnetic environment in which radiated RF disturbances are controlled. The customer or the user of this device can help prevent electromagnetic interference by maintaining a minimum distance between portable and mobile RF communications equipment (transmitters) and this device as recommended below, according to the maximum output power of the communications equipment

Rated maximum output power of transmitter W	Separation distance according to frequency of transmitter m		
	150 kHz to 80 MHz $d = \sqrt{P}$	80 MHz to 800 MHz $d = 0.6\sqrt{P}$	800 MHz to 2.7 GHz $d = 1.2\sqrt{P}$
0.01	0.1	0.06	0.12
0.1	0.31	0.19	0.38
1	1	0.6	1.2
10	3.1	1.9	3.8
100	10	6	12

For transmitters rated at a maximum output power not listed above, the recommended separation distance d in meters (m) can be estimated using the equation applicable to the frequency of the transmitter, where P is the maximum output power rating of the transmitter in watts (W) according to the transmitter manufacturer.

Note 1: At 80 MHz and 800 MHz, the separation distance for the higher frequency range applies.

Note 2: These guidelines may not apply in all situations. Electromagnetic propagation is affected by absorption and reflection from structures, objects, and people.

SALVAGUARDIAS IMPORTANTES

LEA TODAS LAS INSTRUCCIONES ANTES DE USAR

PELIGRO - Para reducir el riesgo de electrocución tenga en cuenta lo siguiente:

1. Siempre desenchufar este producto inmediatamente después de usar.
2. No usar mientras se baña.
3. No coloque ni almacene este producto en lugares donde se pueda caer o ser tirado a una bañera o lavabo.
4. No lo coloque ni deje caer en agua u otro líquido.
5. No intente alcanzar un producto que haya caído al agua. Desenchúfelo inmediatamente.

PELIGRO - Para reducir el riesgo de sufrir quemaduras, electrocución, incendio o lesiones a personas tenga en cuenta lo siguiente:

1. Evalúe el riesgo de atrapamiento de los pacientes de acuerdo con el protocolo y monitoree a los pacientes de manera apropiada.
2. El producto se puede usar para pacientes con lesiones en la columna, pero se sugiere consultar con un médico antes de usarlo. Sin embargo, no se debe usar para pacientes con fracturas de columna inestables.
3. Se necesita supervisión cercana cuando se usa el producto con o cerca de niños. Si un niño traga una pieza pequeña separada del dispositivo pueden producirse quemaduras eléctricas o un accidente de asfixia.
4. Use este producto solo para su uso previsto tal como se describe en este manual. No use otro colchón no recomendado por el fabricante.
5. No se debe operar jamás este producto si tiene un cable o enchufe dañado, si no está funcionando correctamente, si se ha caído o dañado o se ha caído al agua. Devuelva el producto a proveedor o al punto de compra para que sea examinado y reparado.
6. Mantenga el cable lejos de las superficies calientes.
7. No se deben bloquear jamás los orificios de ventilación de este producto ni se lo debe colocar sobre superficies blandas, como una cama o un sofá, donde se puedan bloquear los orificios. Mantenga el orificio de ventilación sin pelusas, cabellos u otras partículas similares.
8. No se debe jamás dejar caer o insertar cualquier objeto en un orificio o manguera.
9. No se debe modificar este equipo sin la autorización del fabricante.
10. Los protectores de colchones han aprobado las pruebas de sensibilización cutánea e irritación cutánea. Sin embargo, si sospecha que puede haber tenido o está teniendo una reacción alérgica, consulte con su médico de inmediato.
11. No se deben dejar pedazos largos de los tubos alrededor de la cama. Puede causar estrangulación.
12. El tercer conductor en el CABLE DE SUMINISTRO DE ENERGÍA es solo una tierra funcional.

PRECAUCIÓN –

Si existe la posibilidad de interferencia electromagnética con teléfonos móviles, aumente la distancia (3.3 m) entre los dispositivos o apague el teléfono celular.


















NOTA, PRECAUCIÓN Y DECLARACIONES DE ADVERTENCIA:

NOTA - Indicar algunos consejos.

PRECAUCIÓN - Indicar los procedimientos de funcionamiento o mantenimiento correctos para evitar daños o destrucción del equipo u otra propiedad

ADVERTENCIA - Llama la atención sobre un peligro potencial que requiere prácticas o procedimientos correctos para prevenir las lesiones personales.

SÍMBOLOS

	Catálogo, nuevo pedido o número de referencia
	Fabricante
	Cumple con las normas que protegen contra las descargas eléctricas para equipo tipo BF.
	Consultar las instrucciones de funcionamiento para el uso
	Atención, se deben leer las instrucciones.
	Atención, se deben leer las instrucciones.
	Protegido contra objetos extraños sólidos de 12.5 mm o más; protección contra caídas verticales de gotas de agua
	Clase II
	Limitación de temperatura/rango de temperatura
	En espera
	Limpieza en seco, cualquier disolvente excepto tricloroetileno
	No planchar
	Secado en secadora, normal, temperatura baja
	No secar en secadora
	No lavar con lejía
	No limpiar en seco
	Lavado a máquina, regular/normal, 95° C (203° F)



Atención - Respetar la eliminación adecuada de equipos eléctricos y electrónicos (WEEE): Este producto se debe entregar a un punto de recolección adecuado para el reciclado de los equipos eléctricos y electrónicos. Para obtener información más detallada acerca del reciclado de este producto, contáctese con el ayuntamiento, el servicio de desechos domésticos o la tienda minorista donde compró este producto.

1. Introducción

Este manual se debe utilizar para el ajuste inicial del sistema y como referencia.

1.1 Información general

El sistema es un sistema de colchón asequible y de alta calidad, ideal para el tratamiento y la prevención de las úlceras por presión.

El sistema ha sido comprobado y aprobado con éxito para las siguientes normas:

 SOLO PARA ESTADOS UNIDOS Y CANADÁ



Le produit à été testé avec des équipements médicaux et respecte les normes ANSI/AAMI ES60601-1 / CAN/CSA C22.2 No.60601-1. prévenant les choc électrique, le feu et les risques de blessures physiques.

Declaración de advertencia de EMC

Este equipo ha sido comprobado y cumple los límites para dispositivos médicos de acuerdo con EN 60601-1-2. Estos límites están diseñados para proporcionar protección razonable contra interferencias nocivas en instalaciones médicas típicas. Este equipo genera, usa, y puede irradiar ondas de radiofrecuencia, y, si no se instala o usa de acuerdo con las instrucciones, puede causar interferencia nociva a otros dispositivos cercanos. Sin embargo, no hay garantía de que no se produzca interferencia en una instalación en particular. Si este equipo causa interferencia nociva a otros dispositivos, lo que puede determinarse al apagar y encender el equipo, el usuario debe intentar corregir la interferencia mediante una o más de las siguientes medidas:


- Cambiar la orientación o la ubicación del dispositivo receptor;
- Aumentar la separación entre los equipos;
- Conectar el equipo en una toma o un circuito diferente al que está conectado el otro dispositivo; y
- Solicitar ayuda del fabricante o del técnico de servicio.

1.2 Uso previsto

Este producto está previsto para ayudar y reducir la incidencia de úlceras por presión y para optimizar la comodidad del paciente. También se usa para los siguientes fines:

- ayudar y reducir la incidencia de úlceras por presión y optimizar la comodidad del paciente;
- para pacientes a largo plazo que sufren de úlceras por presión; y
- para el tratamiento del dolor, según las indicaciones del médico.

El producto solo puede ser operado por el personal calificado para realizar procedimientos generales de enfermería y que ha recibido capacitación adecuada sobre el conocimiento de la prevención y el tratamiento de úlceras por presión.

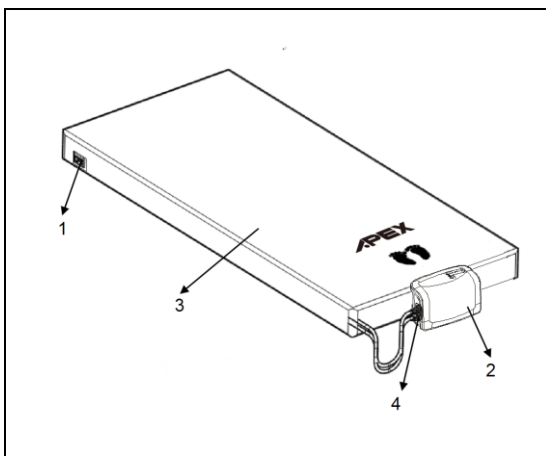
 **NOTA-** Los equipos no son aptos para el uso en presencia de una mezcla anestésica inflamable con aire, con oxígeno o con óxido nitroso.

2. Descripción del producto

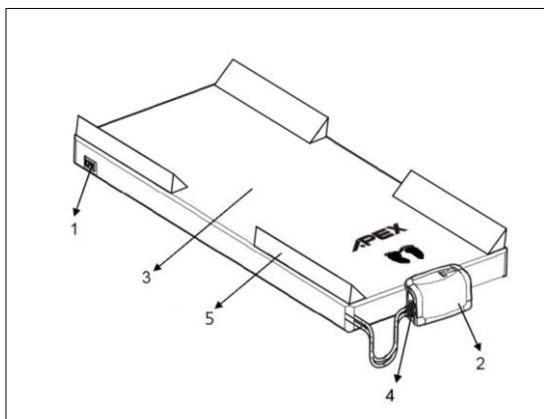
Desembale la caja y verifique que no haya ningún daño que pudiera haber ocurrido durante el envío. Si hay daños, contáctese con el punto de compra inmediatamente.

2.1 Bomba y sistema de colchón

1. RCP
2. Unidad de bomba
3. Sistema de colchón
4. Conector rápido



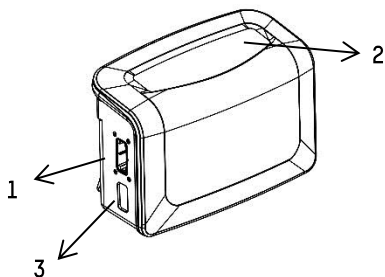
1. RCP
2. Unidad de bomba
3. Sistema de colchón
4. Conector rápido
5. Cojín lateral (opción)



2.2 Unidad de bomba

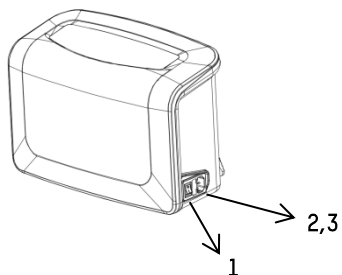
Frente

1. Conector rápido
2. Panel frontal
3. Filtro de aire



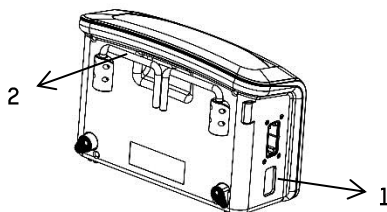
Lado

1. Interruptor de corriente
2. Cable de alimentación
3. Fusibles

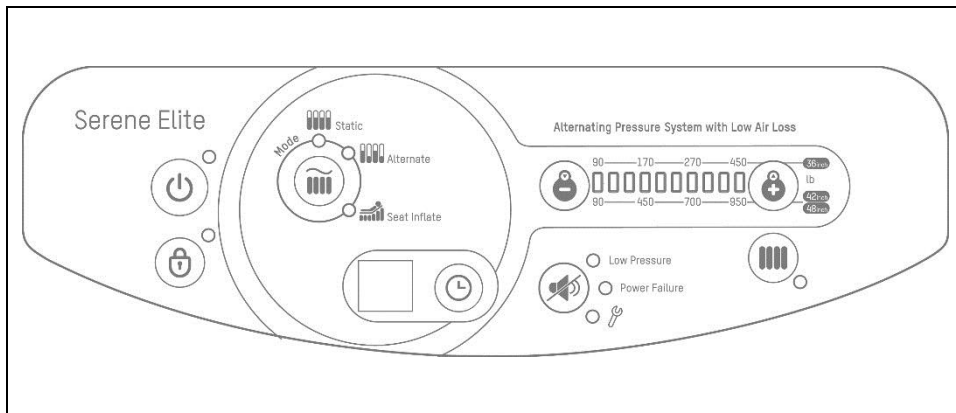


Parte trasera

1. Filtro de aire
2. Soportes de montaje



2.3 Panel frontal



1. Niveles de ajuste de la presión

Esto controla la salida de la presión del aire. Cuando se aumenta la firmeza, aumentará la presión de salida y viceversa para la disminución de la presión del aire. Si la condición de un paciente cambia significativamente, vuelva a evaluar el nivel de configuración.

⚠️NOTA: Cuando se encienda el interruptor de corriente, la superficie irá a Max Firm (firmeza máxima) de manera automática. Una vez que se alcanza el nivel de presión máxima, la bomba se cambiará automáticamente al modo alternante.

⚠️NOTA: Verifique que la presión sea la adecuada para el paciente deslizando una mano por debajo de las celdas de aire al nivel de las nalgas del paciente. Deje siempre un espacio de 1 pulg. entre el paciente y la celda estática para evitar que toque fondo.

2. Tiempo de ciclo

En el área del panel táctil hay cuatro tiempos de ciclo seleccionables. Al presionar el botón, el usuario puede seleccionar uno de los cuatro tiempos de ciclo según la comodidad del paciente y el resultado deseado.

3. Modos

A. Max Firm (firmeza máxima)

Cuando se encienda el interruptor de corriente, la superficie irá a Max Firm (firmeza máxima) de manera automática. Asegura que la bomba pueda alcanzar su presión de funcionamiento máxima. Una vez que se alcanza el nivel de presión máxima, la bomba se cambiará automáticamente al modo alternante. El usuario también puede usar esta función durante las transferencias de pacientes o los procedimientos de enfermería para tener un mejor soporte.

 **NOTA:** Max Firm y la función LED predeterminada se iluminarán de manera simultánea hasta que el colchón alcance la presión máxima.

B. Modo alternante

Celdas de aire alternas que se inflan y desinflan parcialmente para evitar la presión prolongada en un punto único debajo del paciente.

C. Modo estático

Modo no alternante, todas las celdas de aire se inflan y desinflan por igual a presiones más bajas en comparación con el nivel de comodidad respectivo en el modo alternante.

D. Inflado del asiento

El inflado del asiento cuenta con apoyos adicionales para el paciente durante la posición vertical sin tocar fondo. El usuario puede seleccionar esta característica adicional tanto en el modo estático como en el alternante.

4. Bloqueo del panel

Si no se toca el panel de control durante 5 minutos, se encenderá una luz LED verde y el panel de control bloqueará todas las configuraciones. Esto evitará que se cambien accidentalmente las configuraciones durante el funcionamiento normal. Para desbloquearlo, simplemente presione el botón de Bloqueo del panel durante **dos** segundos.

5. Silenciar alarma

Al presionar el botón Silenciar alarma, se suspenderá el zumbador temporalmente. Si no se resuelve la situación en 3 minutos, se activará la alarma.

A. PFA (alarma de corte de energía)

Durante una situación de corte de energía, se activarán la luz LED de Corte de energía y el zumbador. Para desactivar el zumbador y la luz LED, presione el botón de silenciar.

B. Indicador de presión baja

Cuando se encienden las luces LED de presión baja, la presión dentro del colchón de aire se encuentra por debajo de lo normal. Consulte la sección de solución de problemas.

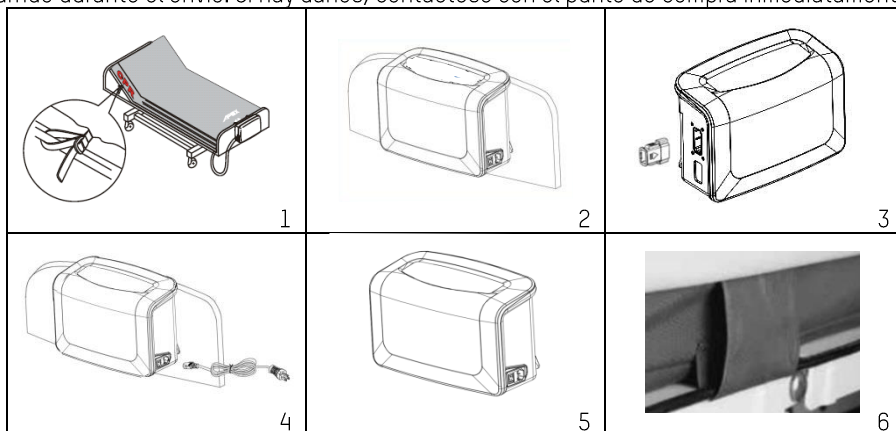
C. Soporte técnico

La luz indicadora de Servicio se activará cuando ocurra un problema con el sistema. El usuario puede notificar al técnico para que sea reparado.

3. Instalación

3.1 Instalación de la bomba y el colchón

⚠NOTA- Desembale la caja e inspeccione que no haya ningún daño que pudiera haber ocurrido durante el envío. Si hay daños, contáctese con el punto de compra inmediatamente.



1. Coloque el colchón o el cojín en la parte superior del bastidor de la cama. Preste atención al extremo de los pies. Hay correas de seguridad en la base del colchón. Asegure el colchón con firmeza ajustando las correas en el bastidor de la cama y asegúrese de que las secciones móviles del bastidor de la cama se puedan mover.

⚠ADVERTENCIA- Se debe aplicar el sobrecolchón sobre el colchón subyacente.

2. Cuelgue la bomba en la barandilla de la cama (extremo de los pies) y ajuste los ganchos en la mejor posición vertical de la bomba o coloque la bomba en una superficie plana.
3. Conecte los conectores de la manguera de aire del colchón de aire a la unidad de bomba. Cuando sienta o escuche un sonido de "clic" se habrá completado y asegurado la conexión.

⚠NOTA- Controle y asegúrese de que las mangueras de aire no estén torcidas ni dobladas debajo del colchón.

4. Enchufe el cable de alimentación en la toma eléctrica.

⚠NOTA- 1. Asegúrese de que la unidad de bomba sea compatible con el voltaje de alimentación local.

2. El enchufe también sirve para desconectar el dispositivo.

5. Gire el interruptor de corriente a la posición ENCENDIDO.

⚠PRECAUCIÓN- La bomba solo se puede aplicar al colchón recomendado por el fabricante. No la utilice para ningún otro propósito. (Parte aplicada: colchón de aire)

6. Se proporcionan lazos de manejo de cables a los costados del colchón para cubrir el cable de la red eléctrica. Asegúrese de que el cable no tenga indicio de daños. Después de la instalación, se debe acomodar bien el cable de alimentación excedente, si hubiere, para

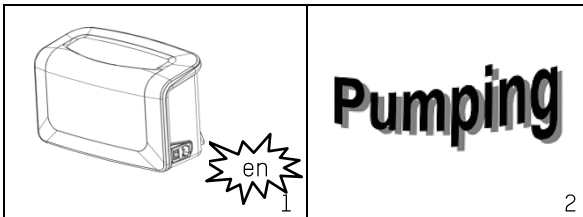
evitar tropiezos y no debe tener mecanismos móviles de la cama u otra área de posible atrapamiento.

El EQUIPO se debe colocar con firmeza en una posición de fácil acceso para los usuarios/médicos.

4. Operación

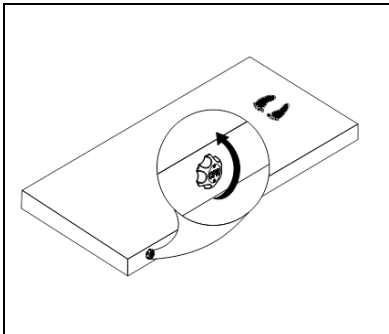
⚠NOTA- Siempre se deben leer las instrucciones de operación antes del uso.

4.1 Operación general



1. Accione el interruptor de corriente en el lateral de la bomba para ejecutarla.
2. Espere entre 20 y 25 minutos para que se infle completamente el colchón. El indicador rojo de Presión baja se apagará cuando el sistema esté completamente inflado.
3. Cuando el colchón esté montado, ejecutará el inflado inicial (Maxifirm). El indicador de Maxifirm (LED) parpadeará constantemente hasta alcanzar la presión objetivo, luego el sistema ingresará de manera automática en el modo preestablecido.
4. Según el peso y la altura del paciente, ajuste la configuración de la presión al nivel más cómodo sin tocar fondo. Después de que la presión en el colchón alcance el nivel deseado, el colchón de aire estará listo para usar.

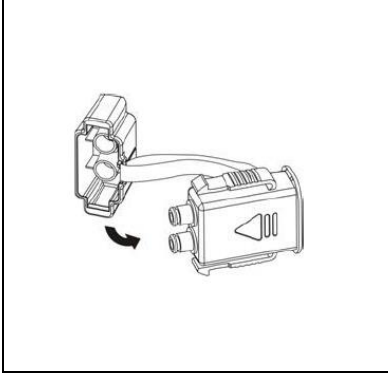
4.2 Operaciones de RCP de emergencia



⚠NOTA- Cuando se deba realizar RCP de emergencia al paciente, gire rápidamente la perilla de RCP para soltar aire del colchón. La perilla de RCP está ubicada en el extremo de la cabeza, del lado derecho del colchón. Se puede desconectar el conector rápido en la unidad de bomba para desinflarlo con mayor rapidez.

⚠NOTA- En el colchón bariátrico habrá 2 perillas de RCP (42 pulg. y 48 pulg.).

4.3 Transporte



⚠️NOTA- Cuando se produce un corte de energía o se debe transportar al paciente, se puede tapar el conector rápido tal como se muestra a la izquierda para reducir la fuga de aire. De acuerdo con la configuración y la altura del colchón, el colchón puede permanecer inflado durante un tiempo.

⚠️ADVERTENCIA: Si hay un problema de tocar fondo, traspase al paciente del colchón que se está desinflando a otra superficie adecuada.

5. Limpieza

Es importante seguir los procedimientos de limpieza para evitar la contaminación cruzada. Asegúrese de limpiar la superficie en un entorno seco y sin suciedad. Limpie la unidad de bomba con un paño húmedo previamente mojado con un detergente suave. Evite el contacto con la suciedad y manténgase alejado de las áreas polvorientas. Asegúrese de que cualquier agente limpiador que utilice no dañe ni corra la cubierta de plástico de la unidad de bomba. Si su médico o las instalaciones médicas tienen otra instrucción de limpieza especial, siga las instrucciones profesionales.

⚠️PRECAUCIÓN- No sumerja ni remoje la unidad de bomba.

⚠️ADVERTENCIA- No quite la cubierta de la bomba para evitar una descarga eléctrica. Cualquier desmontaje o reparación deben ser realizados por técnicos profesionales.

⚠️PRECAUCIÓN- La bomba no necesita aceite ni lubricación, no desarme el sistema.

<p>Material de cubierta:</p> <ul style="list-style-type: none"> • Nylon/PU 	
--	--

Limpie la unidad del colchón con un paño húmedo previamente humedecido con agua tibia y detergente suave o blanqueador con cloro y luego un desinfectante aprobado de nivel intermedio. Además, se puede quitar completamente el protector del colchón para lavarlo con agua (la temperatura se indica en la etiqueta de lavado); sin embargo, se recomienda que el usuario verifique las políticas locales para determinar la tasa de tiempo/temperatura necesaria para conseguir la desinfección térmica. También se puede limpiar el protector con hipoclorito de sodio diluido en agua. Después de limpiar, evite el contacto con la suciedad y manténgase alejado de las áreas polvorientas. Todas las partes se deben secar al aire antes del uso.

⚠️PRECAUCIÓN- No use productos de limpieza de base fenólica.

⚠️PRECAUCIÓN- Antes de que comience el proceso de limpieza, retire las cuatro espumas dentro de los bolsillos cuando se use la cubierta opcional con soporte lateral.

⚠PRECAUCIÓN- Después de limpiarlo, seque el colchón evitando la exposición directa a la luz solar.

6. Almacenamiento

1. Para almacenar el colchón, extiéndalo horizontalmente y boca abajo.
2. Enróllelo desde el extremo de la cabeza hacia el extremo de los pies con la válvula de RCP abierta.
3. Luego, se puede extender la correa del extremo de los pies alrededor del colchón enrollado para evitar que se desenrolle.

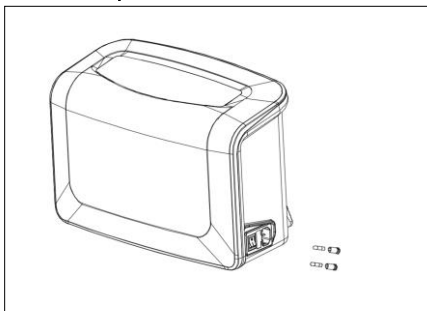
⚠NOTA- No tuerza, arrugue ni apile los colchones ni almacene el sistema a la luz solar directa, bajo temperaturas altas ni en áreas húmedas.

7. Mantenimiento

7.1 General

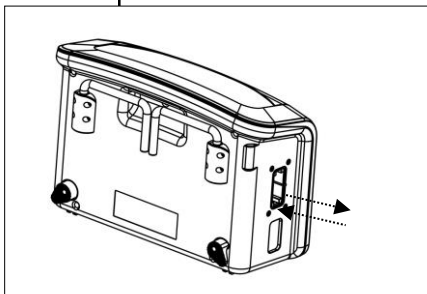
1. Verifique que no haya abrasiones o desgaste excesivo en el enchufe o el cable de alimentación principal.
2. Verifique que no haya indicios de desgaste o daños en el protector del colchón. Asegúrese de que el protector del colchón y los tubos estén colocados juntos correctamente.
3. Controle el flujo de aire del conector rápido. Si no se encuentra en el modo alternante, el flujo de aire debe alternar entre cada conector en cada tiempo de medio ciclo.
4. Controle que las mangueras de aire no estén arrugadas ni rotas. Para reemplazos, contáctese con el punto de compra.

7.2 Reemplazo del fusible



1. Si sospecha que se quemó un fusible, desconecte el enchufe de la red eléctrica.
2. Utilice una herramienta adecuada para quitar la cubierta del soporte de fusible.
3. Inserte un nuevo fusible de la potencia correcta y reemplace el soporte de fusible colocándolo nuevamente en la posición correcta. La potencia del fusible debe ser de tipo F1AL /250V.

7.3 Reemplazo del filtro de aire



1. Reemplace el filtro de aire ubicado en el costado de la bomba.
2. El filtro es reutilizable y se puede lavar suavemente con un detergente suave y agua. Seque el filtro al aire antes de usarlo.
3. Controle y reemplace el filtro de aire con regularidad.

8. Vida útil prevista

Los productos están previstos para ofrecer un funcionamiento seguro y confiable cuando se usan o instalación de acuerdo con las instrucciones proporcionadas por Apex Medical. Apex Medical recomienda que la inspección y el servicio técnico sean realizados por técnicos autorizados si hubiera indicios de desgaste o preocupaciones sobre la función del dispositivo y la indicación en los productos. De otra manera, en general no debería requerirse el servicio y la inspección de los dispositivos.

9. Solución de problemas

Q1 La corriente eléctrica no está ENCENDIDA

- Verifique si el enchufe está conectado a la red eléctrica.
- Verifique que no haya un fusible quemado.

Q2 La alarma de presión baja está encendida

- Verifique que el conector rápido esté firmemente asegurado.
- Controle que todas las conexiones de los tubos a lo largo del colchón estén aseguradas.
- Verifique que las mangueras de aire no estén torcidas o rotas.

Q3 La alarma de corte de energía está encendida

- Controle que no se haya cortado repentinamente la energía.
- Controle si el cable de alimentación está conectado adecuadamente.

Q4 El paciente está tocando fondo

- La configuración de la presión puede no ser la adecuada para el paciente; ajuste el rango de comodidad a 1 o 2 niveles más altos y espere unos minutos para obtener la mejor comodidad.

Q5 La forma del colchón está floja

- Verifique que todos los botones a presión o las correas del colchón estén correctamente cerrados.
- Verifique que el colchón esté fijado al bastidor de la cama con las correas.

Q6 Algunas salidas de aire del conector del tubo de aire no producen aire

- Esto es normal debido a que hay un modo alternante. Las salidas de aire producen aire por turnos durante su tiempo de ciclo.

Si la información anterior no resuelve sus problemas, contáctese directamente con el punto de compra. Es posible que necesiten que un técnico resuelva el problema.

10. Especificación técnica

Elemento		Especificación		
Fuente de alimentación (nota: consulte la etiqueta de clasificación en el producto)		CA 110-120V 60 Hz, 0.17A		
Clasificación del fusible		F1AL, 250V		
Tiempo de ciclo		Cuatro seleccionables (10, 15, 20, 25 minutos)		
Medidas (largo x ancho x alto)		34.0 x 15.0 x 23.4 cm / 13.4 x 5.9 x 9.2 pulg.		
Peso		3.1 kg / 6.83 lb		
Entorno	Presión atmosférica	700 hPa a 1060 hPa		
	Temperatura	Operación: 10 °C a 40 °C (50 °F a 104 °F) Almacenamiento: -15 °C a 50 °C (5 °F a 122 °F) Envío: -15 °C a 70 °C (5 °F a 158 °F)		
	Humedad	Operación: 10 % a 90 % sin condensación Almacenamiento: 10 % a 90 % sin condensación Envío: 10 % a 90 % sin condensación		
Clasificación		Clase II con puesta a tierra funcional, tipo BF, IP21 Parte aplicada: Colchón de aire Los equipos no son aptos para el uso en presencia de una mezcla anestésica inflamable (sin protección AP o APG)		
Colchón		Especificación		
Modelo		Colchón de 8 pulg.		
sizes of colchón		36" colchón	42" colchón	48" colchón
Medidas (largo x ancho x alto)		200 x 90 x 20,3 cm 78.7 x 35.4 x 8 pulg.	200 x 107 x 20.3 cm 78.7 x 42 x 8 pulg.	200 x 122 x 20.3 cm 78.7 x 48 x 8 pulg.
Peso		7.5 kg/16.5 lbs	8.5 kg/18.8 lbs	9.5 kg/21.0 lbs
Capacidad de peso máximo		200 kg/ 450 lbs	430 kg 950 lbs	430 kg 950 lbs

NOTA-

1. Para más documentos técnicos, consulte con el distribuidor o el representante de la UE.
2. La especificación también es adecuada para otras áreas que funcionan con la misma fuente de alimentación.
3. El tamaño y el peso del colchón se miden sin el cojín de espuma.
4. El fabricante se reserva el derecho a modificar la especificación sin aviso.

Anexo A: Información de EMC

Orientación y declaración del fabricante- Emisiones electromagnéticas:

Este dispositivo está previsto para el uso en el entorno electromagnético especificado a continuación. El usuario de este dispositivo debe asegurarse de que sea utilizado en dicho entorno.

Ensayo de emisiones	Cumplimiento	Entorno electromagnético-Orientación
Emisiones RF CISPR 11	Grupo1	El dispositivo usa únicamente energía RF para su funcionamiento interno. Por lo tanto, sus emisiones RF son muy bajas y no es probable que causen ninguna interferencia en los equipos electrónicos cercanos.
Emisiones RF CISPR 11	Clase B	El dispositivo es apto para el uso en todos los establecimientos, incluidos los establecimientos domésticos y los que están conectados de manera directa a la red de fuente de alimentación pública de baja tensión
Emisiones de armónicos IEC61000-3-2	Clase A	
Fluctuaciones de tensión/emisiones fluctuantes IEC61000-3-3	Cumple	




Advertencia:

1. No se debe usar el dispositivo al lado de o apilado con otros equipos. Si es necesario el uso adyacente o apilado, se debe controlar la operación normal del dispositivo en la configuración en la que se utilizará.
2. El uso de accesorios, transductores y cables que no sean los especificados o proporcionados por el fabricante de este equipo puede producir un aumento de las emisiones electromagnéticas o una disminución de la inmunidad electromagnética del equipo y, por lo tanto, un funcionamiento inadecuado.
3. El equipo de comunicaciones RF portátil (incluidos los periféricos como cables de antena y antenas externas) se debe utilizar a no menos de 30 cm (12 pulgadas) de cualquier parte de la bomba, incluidos los cables especificados por el fabricante. De lo contrario, se puede producir la degradación del rendimiento de este equipo.

Orientación y declaración del fabricante- Inmunidad electromagnética:

Este dispositivo está previsto para el uso en el entorno electromagnético especificado a continuación. El usuario de este dispositivo debe asegurarse de que sea utilizado en dicho entorno.

Normas EMC básicas	Niveles de la prueba de inmunidad		Niveles de cumplimiento	Entorno electromagnético-Orientación
	Entorno de instalación de atención médica profesional	ENTORNO DE ATENCIÓN MÉDICA DOMICILIARIA		
Descarga electrostática (ESD) IEC61000-4-2	±8kV contacto ±15 kV aire		±8kV contacto ±15 kV aire	Los pisos deben ser de madera, hormigón o baldosas cerámicas. Si los pisos están cubiertos con material sintético, la humedad relativa desde ser al menos del 30 %.
Transitorios eléctricos rápidos/en ráfaga IEC61000-4-4	±2kV para la línea de alimentación ±1kV para la línea de entrada/salida		±2kV para la línea de alimentación ±1kV para la línea de entrada/salida	La calidad de la red eléctrica debe ser la de un entorno hospitalario o comercial típico
Sobretensión IEC61000-4-5	± 1 kV (línea(s) a línea(s)) ± 2 kV (línea(s) a tierra)	± 1 kV (línea(s) a línea(s))	± 1 kV (línea(s) a línea(s)) ± 2 kV (línea(s) a tierra)	La calidad de la red eléctrica debe ser la de un entorno hospitalario o comercial típico.
Caídas de tensión, interrupciones breves y variaciones de tensión en las líneas de entrada de la fuente de alimentación IEC61000-4-11	Caídas de tensión: i) reducción del 100 % para período de 0.5, ii) reducción del 100 % para período de 1, iii) reducción del 30 % para período de 25/30, Interrupciones de tensión: Reducción del 100 % para período de 250/300		120V	La calidad de la red eléctrica debe ser la de un entorno hospitalario o comercial típico. Si el usuario de este dispositivo requiere operación continua durante las interrupciones de la red eléctrica, se recomienda que el dispositivo tenga alimentación de una fuente de energía ininterrumpida o una batería.
Frecuencia eléctrica (50/60Hz) campo magnético IEC61000-4-8	30 A/m	30 A/m	30 A/m	Los campos magnéticos de la frecuencia eléctrica deben estar a los niveles característicos un entorno hospitalario o comercial típico.
RF conducida IEC 61000-4-6	3 Vrms Entre 0,15 MHz y 80 MHz 6 Vrms en bandas ISM Entre 0,15 MHz y 80 MHz AM 80 % a 1 kHz	3 Vrms Entre 0,15 MHz y 80 MHz 6 Vrms en bandas ISM y bandas de radio amateur entre 0,15 MHz y 80 MHz AM 80 % a 1 kHz	6Vrms	Los equipos de comunicaciones RF portátiles y móviles no se deben utilizar más cerca de cualquiera de las partes de este dispositivo, incluidos los cables, que la distancia de separación recomendada calculada a partir de la ecuación aplicable a la frecuencia del transmisor.
RF EM radiada Campos IEC61000-4-3	3 V/m 80 MHz a 2,7 GHz AM 80 % a 1 kHz 385-6000 MHz,	10 V/m 80 MHz a 2,7 GHz AM 80 % a 1 kHz 385-6000 MHz,	3V/m	Distancia de separación recomendada $d = \sqrt{P}$ entre 150kHz y 80MHz $d = 0.6\sqrt{P}$ entre 80MHz y 800MHz $d = 1.2\sqrt{P}$ entre 800 MHz y 2.7GHz

	9-28V/m, modo de pulso de AM del 80 % (1kHz) y otra modulación	9-28V/m, modo de pulso de AM del 80 % (1kHz) y otra modulación	<p>Donde P es la potencia nominal de salida máxima del transmisor en vatios (W) de acuerdo con el fabricante del transmisor y d es la distancia de separación recomendada en metros (m).^b</p> <p>Las intensidades de campo de los transmisores RF fijos, según lo determinado por una inspección electromagnética del sitio,^a deben ser inferiores que el nivel de cumplimiento en cada frecuencia variada.</p> <p>Puede producirse interferencia en la cercanía de equipos marcados con el siguiente símbolo:</p> 
--	--	--	--

NOTA 1: U_T es la tensión de red ca antes de la aplicación del nivel de prueba

NOTA 2: A 80 MHz y 800 MHz se aplica el rango de frecuencia más alto.

NOTA 3: Estas pautas pueden no aplicarse en todas las situaciones. La propagación electromagnética se ve afectada por la absorción y el reflejo de las estructuras, los objetos y las personas.

- a) Las intensidades de campo de transmisores fijos, tales como estaciones base para radio (celular/inalámbrica) teléfonos y radio móviles terrestres, radio amateur, radiodifusión AM y FM y emisión de TV no se pueden predecir en teoría con precisión. Para evaluar el entorno electromagnético debido a transmisores RF fijos, se debe considerar una inspección electromagnética del sitio. Si la intensidad de campo medida en el lugar en el que se usa el dispositivo excede el nivel de cumplimiento de RF aplicable, se debe observar el dispositivo para verificar el funcionamiento normal. Si se observa un rendimiento anormal, es posible que se necesiten medidas adicionales, tales como cambiar la orientación o la ubicación del dispositivo.
- b) Por encima del rango de frecuencia de 150 kHz a 80 MHz, las intensidades de campo deben ser menores que 10 V/m.

Distancias de separación recomendadas entre equipos de comunicaciones de RF móviles y este dispositivo:

Este dispositivo está previsto para el uso en un entorno electromagnético en el que las alteraciones RF radiadas están controladas. El cliente o el usuario de este dispositivo pueden ayudar a prevenir la interferencia electromagnética manteniendo una distancia mínima entre los equipos de comunicaciones de RF móviles (transmisores) y este dispositivo como se recomienda a continuación, de acuerdo con la potencia de salida máxima de los equipos de comunicaciones

Potencia nominal de salida máxima del transmisor W	Entre 150 kHz y 80 MHz $d = \sqrt{P}$	Entre 80 MHz y 800 MHz $d = 0.6\sqrt{P}$	Entre 800 MHz y 2.7 GHz $d = 1.2\sqrt{P}$
0.01	0.1	0.06	0.12
0.1	0.31	0.19	0.38
1	1	0.6	1.2
10	3.1	1.9	3.8
100	10	6	12

Para los transmisores clasificados a una potencia de salida máxima no enumerados arriba, la distancia de separación recomendada d en metros (m) se puede estimar con la ecuación aplicable a la frecuencia del transmisor, donde P es la potencia nominal de salida máxima del transmisor en vatios (W) de acuerdo con el fabricante del transmisor.

Nota 1: A 80 MHz y 800 MHz se aplica la distancia de separación para el rango de frecuencia más alto.

Nota 2: Estas pautas pueden no aplicarse en todas las situaciones. La propagación electromagnética se ve afectada por la absorción y el reflejo de las estructuras, los objetos y las personas.

MESURES DE SÉCURITÉ IMPORTANTES

LISEZ TOUTES LES INSTRUCTIONS AVANT UTILISATION

DANGER - Pour réduire le risque d'électrocution :

1. Débranchez toujours l'appareil immédiatement après utilisation.
2. Ne l'utilisez pas en vous baignant.
3. Ne placez pas et ne stockez pas ce produit dans un endroit où il peut tomber ou être entraîné dans une baignoire ou un lavabo.
4. Ne le placez pas ou ne le laissez pas tomber dans de l'eau ou un autre liquide.
5. Ne saisissez pas un produit qui est tombé dans l'eau. Débranchez-le immédiatement.

ATTENTION - Pour réduire le risque de brûlures, d'électrocution, d'incendie ou de blessures physiques :

1. Évaluez le risque de coincement des patients conformément au protocole et surveillez les patients en conséquence.
2. Le produit peut être utilisé chez des patients présentant une blessure à la colonne vertébrale, mais il est conseillé de consulter un médecin avant utilisation. Cependant, il ne doit pas être utilisé chez des patients présentant des fractures vertébrales instables.
3. Une surveillance étroite est nécessaire quand ce produit est utilisé sur ou à proximité d'enfants. Des brûlures électriques ou un accident d'étouffement peuvent survenir si un enfant avale une petite pièce détachée de l'appareil.
4. Utilisez ce produit uniquement pour son usage prévu tel que décrit dans ce manuel. N'utilisez pas un autre matelas non recommandé par le fabricant.
5. N'utilisez jamais ce produit s'il est doté d'un cordon ou d'une fiche endommagés, s'il ne fonctionne pas correctement, s'il est tombé ou endommagé ou s'il a été plongé dans l'eau. Retournez le produit au point d'achat pour une vérification et une réparation.
6. Maintenez le cordon à l'écart des surfaces chaudes.
7. Ne bloquez jamais les ouvertures d'air de ce produit et ne le placez pas sur des surfaces souples, telles qu'un lit ou un canapé, où les ouvertures peuvent être bloquées. Maintenez l'ouverture d'air exempte de peluches, de cheveux et d'autres particules similaires.
8. Ne faites jamais tomber et n'insérez jamais d'objets dans une ouverture ou un tuyau.
9. Ne modifiez pas cet équipement sans l'autorisation du fabricant.
10. Les housses de matelas ont passé des tests de sensibilisation de la peau et d'irritation de la peau. Cependant, si vous pensez avoir eu ou présenter une réaction allergique, veuillez consulter immédiatement un médecin.
11. Ne laissez pas d'importantes longueurs de tube vers la partie supérieure de votre lit. Cela pourrait entraîner un risque d'étranglement.
12. Le troisième conducteur du CORDON D'ALIMENTATION est seulement une terre fonctionnelle.

MISE EN GARDE -

En cas de possibilité d'interférences électromagnétiques avec des téléphones portables, veuillez augmenter la distance (3,3 m) entre les appareils ou éteignez les téléphones portables.


















REMARQUES, MISES EN GARDE ET AVERTISSEMENTS :

REMARQUE - Indique des conseils.

MISE EN GARDE - Indique les procédures de fonctionnement ou de maintenance correctes afin d'éviter d'endommager ou de détruire l'équipement ou d'autres biens

AVERTISSEMENT - Attire l'attention sur un danger potentiel qui nécessite des procédures ou des pratiques correctes afin d'éviter une blessure physique.

SYMBOLES

	Numéro de catalogue, de commande ou de référence
	Fabricant
	Respecte les normes de protection contre les décharges électriques pour un équipement de type BF.
	Consulter les instructions de fonctionnement pour l'utilisation
	Attention, les instructions doivent être lues.
	Attention, les instructions doivent être lues.
IP21 	Protection contre les corps étrangers solides de 12,5 mm et plus ; Protection contre les chutes d'eau verticales
	Classe II
	Limitation de température/plage de température
	Veille
	Nettoyage à sec, Tout solvant sauf trichloréthylène
	Ne pas repasser
	Séchage en machine, Normal, Basse température
	Ne pas sécher en machine
	Ne pas javelliser
	Ne pas nettoyer à sec
	Lavage en machine, régulier/normal, 95°C [203°F]



Attention – Respectez les dispositions relatives aux Déchets d'équipements électriques et électroniques (DEEE) : Ce produit doit être retourné à un point de collecte approprié pour le recyclage des équipements électriques et électroniques. Pour des informations plus détaillées sur le recyclage de ce produit, veuillez contacter votre mairie, votre service local de traitement des déchets ménagers ou la boutique où vous avez acheté ce produit.

1. Introduction

Ce manuel doit être utilisé pour la configuration initiale du système et à des fins de référence.

1.1 Informations générales

Ce système de matelas de haute qualité et abordable est adapté au traitement et à la prévention des escarres.

Le système a été testé et approuvé avec succès selon les normes suivantes :

⚠ POUR LES ÉTATS-UNIS ET LE CANADA UNIQUEMENT



Le produit a été testé avec des équipements médicaux et respecte les normes ANSI/AAMI ES60601-1 / CAN/CSA C22.2 No.60601-1. prévenant les choc électrique, le feu et les risques de blessures physiques.

Avertissement relatif aux CEM

Cet appareil a été testé et déclaré conforme aux limites pour les dispositifs médicaux selon la norme EN 60601-1-2. Ces limites sont conçues pour fournir une protection raisonnable contre des interférences nocives dans une installation médicale typique. Cet équipement génère, utilise et peut émettre de l'énergie de radiofréquences et, s'il n'est pas installé et utilisé conformément aux instructions, peut causer des interférences nocives sur d'autres appareils en proximité. Cependant, il n'y a aucune garantie que des interférences ne se produiront pas dans une installation particulière. Si cet équipement cause des interférences nocives sur d'autres appareils, ce qui peut être déterminé en éteignant et rallumant l'équipement, il est conseillé à l'utilisateur d'essayer de corriger les interférences avec une ou plusieurs des mesures suivantes :

- Réorienter ou déplacer l'appareil récepteur.
- Augmenter la séparation entre les équipements.
- Brancher l'appareil sur la prise d'un circuit différent de celui sur lequel le(s) autre(s) appareil(s) est/sont connecté(s).
- Consultez le fabricant ou le technicien de service terrain pour obtenir de l'aide.

1.2 Utilisation prévue

Ce produit est destiné à réduire l'incidence des escarres tout en optimisant le confort des patients. Il propose également les finalités suivantes :

- réduction de l'incidence des escarres tout en optimisant le confort des patients.
- soin à long terme des patients souffrant d'escarres.
- gestion de la douleur selon les prescriptions d'un médecin.

Le produit ne peut être utilisé que par du personnel qualifié pour exécuter des procédures générales de soins infirmiers et ayant reçu une formation adaptée en prévention et en traitement des escarres.

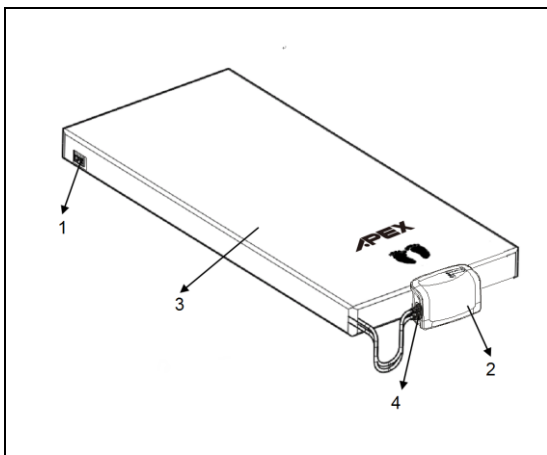
⚠ REMARQUE - Les équipements ne sont pas adaptés à une utilisation en présence d'un mélange anesthésique inflammable avec de l'air, de l'oxygène ou de l'oxyde nitreux.

2. Description du produit

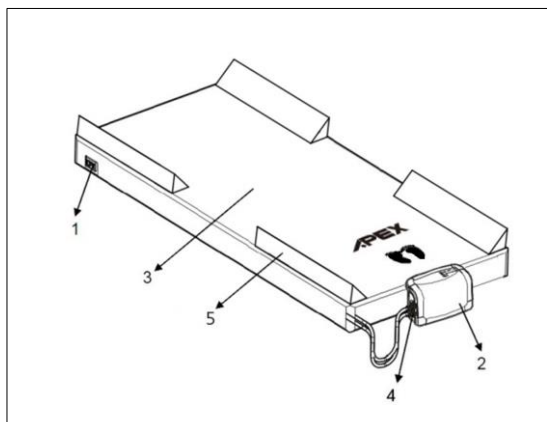
Déballez la boîte pour vérifier la présence de dommages ayant pu se produire pendant l'expédition. En cas de dommages, veuillez contacter immédiatement le point d'achat.

2.1 Système de pompe et de matelas

1. CPR
2. Unité de pompe
3. Système de matelas
4. Connecteur rapide



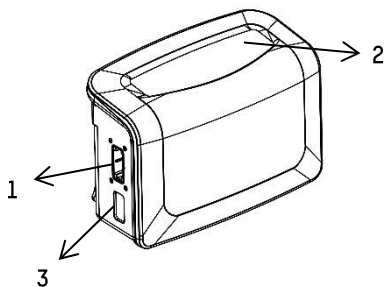
1. CPR
2. Unité de pompe
3. Système de matelas
4. Connecteur rapide
5. Traversin lateral (option)



2.2 Unité de pompe

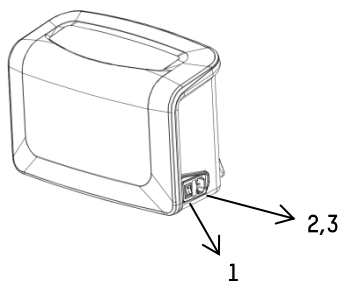
Avant

1. Connecteur rapide
2. Panneau avant
3. Filtre à air



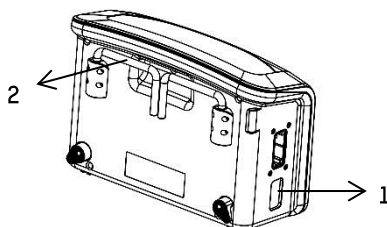
Côté

1. Interrupteur d'alimentation
2. Cordon électrique
3. Fusibles

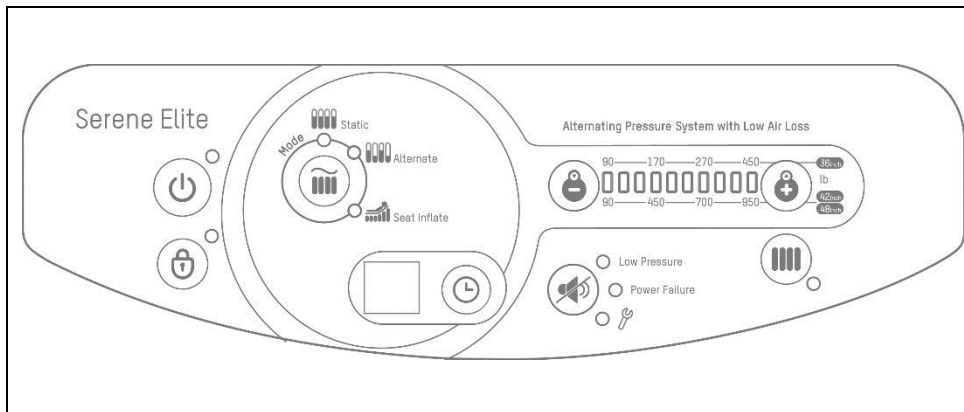


Arrière

1. Filtre à air
2. Supports de fixation



2.3 Panneau avant



1. Niveaux de réglage de la pression

Cela contrôle la sortie de pression d'air. Lorsque la fermeté () est augmentée, la pression de sortie augmente et vice versa pour diminuer () la pression d'air. Si l'état d'un patient change significativement, veuillez réévaluer le niveau de réglage.

⚠️ REMARQUE : La surface passe automatiquement en Fermeté maximum lorsque l'interrupteur d'alimentation est activé. Une fois le niveau de pression maximum atteint, la pompe passe automatiquement en mode alternatif.

⚠️ REMARQUE : Vérifiez si la pression est adaptée au patient en passant une main sous les cellules d'air au niveau du fessier du patient. Laissez toujours un espace d'au moins 1" entre le patient et la cellule statique pour éviter tout risque de descente.

2. Temps de cycle

La zone du panneau tactile comprend quatre temps de cycle sélectionnables. En appuyant sur le bouton, l'utilisateur peut sélectionner l'un des quatre temps de cycle en fonction du confort du patient et du résultat souhaité.

3. Modes

A. Fermeté maximum

La surface passe automatiquement en Fermeté maximum lorsque l'interrupteur d'alimentation est activé. Cela garantit que la pompe peut atteindre sa pression de fonctionnement maximum. Une fois le niveau de pression maximum atteint, la pompe passe automatiquement en mode alternatif. L'utilisateur peut également utiliser cette fonction pendant les transferts du patient ou les procédures de soins infirmiers pour un meilleur soutien.

⚠️ REMARQUE : La LED de Fermeté maximum et de fonction prédéfinie s'allument simultanément jusqu'à ce que le matelas atteigne sa pression maximale.

B. Mode alternatif 


Des cellules d'air alternées sont partiellement dégonflées et gonflées pour éviter une pression prolongée sur un seul point sous le patient.

C. Mode statique 


En mode non alternatif, toutes les cellules d'air sont gonflées uniformément à des pressions inférieures par rapport au niveau de confort correspondant en mode alternatif.

D. Gonflage de siège 

Le gonflage de siège comprend des supports supplémentaires du patient en position verticale sans provoquer de descente. L'utilisateur peut sélectionner cette fonction supplémentaire en mode statique ou alternatif.

4. Verrouillage du panneau 

Si le panneau de commande n'est pas utilisé pendant 5 minutes, une LED verte s'allume et le panneau de commande verrouille tous les réglages. Cela empêche une modification accidentelle des réglages pendant le fonctionnement normal. Pour déverrouiller, appuyez simplement sur le bouton de verrouillage du panneau pendant **deux** secondes.

5. Silence alarme 

Lorsque le bouton Silence alarme est actionné, l'avertisseur sonore est suspendu temporairement. Si la situation n'est pas résolue dans les 3 minutes, l'alarme s'active.

A. PFA (Alarme Panne électrique)

En situation de panne électrique, le voyant LED Panne électrique et l'avertisseur sonore s'activent. Pour désactiver l'avertisseur sonore et la LED, appuyez sur le bouton Silence.

B. Indicateur Basse pression

Si la LED Basse pression s'allume, la pression à l'intérieur du matelas à air est en-dessous de la normale. Veuillez consulter la section Dépannage.

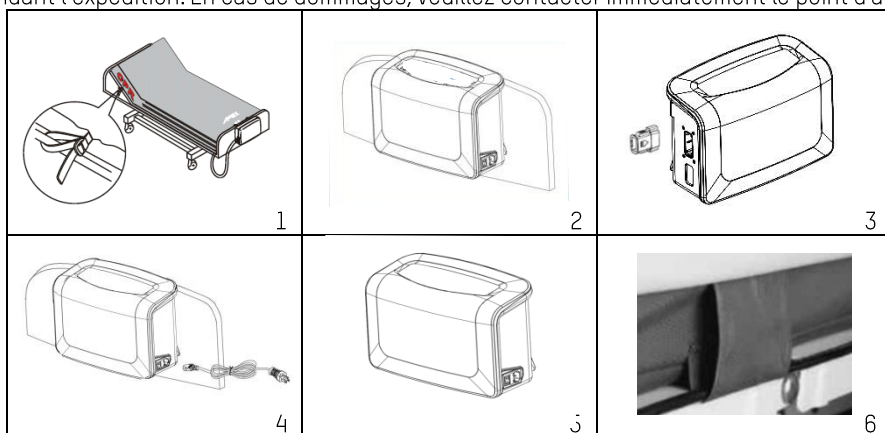
C. Support technique 

L'indicateur lumineux Service s'active lorsqu'un problème se produit au niveau du système. L'utilisateur peut informer le technicien pour solliciter une réparation.

3. Installation

3.1 Installation de la pompe et du matelas

⚠️ REMARQUE - Déballez la boîte pour examiner la présence de dommages ayant pu se produire pendant l'expédition. En cas de dommages, veuillez contacter immédiatement le point d'achat.



- i. Placez le matelas ou le surmatelas sur le cadre du lit. Veuillez noter l'extrémité côté pieds. Des sangles de fixation sont présentes sur la base du matelas. Attachez fermement le matelas en fixant les sangles au cadre du lit, en vous assurant que les sections mobiles du cadre du lit peuvent toujours se déplacer librement.

⚠️ AVERTISSEMENT - Le surmatelas doit être appliqué sur le matelas support

- ii. Accrochez la pompe sur la barrière du lit (extrémité côté pieds) et réglez les crochets pour obtenir la meilleure position verticale de la pompe ou placez la pompe sur une surface plane.
- iii. Raccordez les connecteurs des tuyaux d'air depuis le matelas à air vers l'unité de pompe. Lorsque vous entendez ou ressentez un "déclat", le raccordement est terminé et sécurisé.

⚠️ REMARQUE - Vérifiez que les tuyaux d'air ne sont pas entortillés ou pliés sous le matelas.

- iv. Branchez le cordon d'alimentation dans la prise électrique.

⚠️ REMARQUE-1. Assurez-vous que l'unité de pompe est adaptée à la tension d'alimentation locale.

2. La fiche sert également à débrancher l'appareil.

- v. Mettez l'interrupteur d'alimentation sur la position MARCHE.

⚠️ MISE EN GARDE- La pompe ne peut être appliquée qu'au matelas recommandé par le fabricant. Ne l'utilisez pas à d'autres fins. (Partie appliquée : matelas à air)

- vi. Les boucles de gestion de câble sont présentes sur les côtés du matelas pour couvrir le câble d'alimentation secteur. Veuillez vous assurer que le fil ne présente aucun signe de dommage. Après installation, l'éventuel excédent de cordon d'alimentation doit être géré

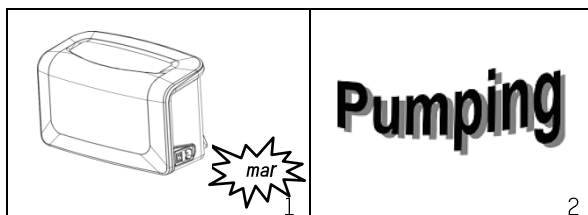
avec soin pour ne pas causer une chute et doit être situé à l'écart des mécanismes mobiles du lit ou d'autres zones de coincement potentiel.

L'ÉQUIPEMENT doit être placé solidement à une position à laquelle les utilisateurs/médecins peuvent accéder facilement.

4. Fonctionnement

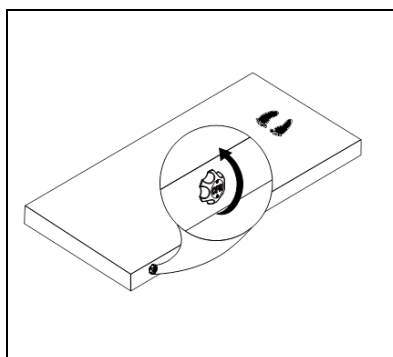
⚠REMARQUE - Lisez toujours les instructions de fonctionnement avant utilisation.

4.1 Fonctionnement général



1. Mettez l'interrupteur d'alimentation sur le côté de la pompe en mode marche.
2. Laissez le matelas se gonfler complètement pendant 20 à 25 minutes. L'indicateur rouge Basse pression s'éteint une fois que le système est complètement gonflé.
3. Lorsque le matelas se met en place, il exécute le gonflage initial (Fermeté maximum). L'indicateur de Fermeté maximum (LED) clignote constamment jusqu'à ce que la pression cible soit atteinte. Le système accède alors automatiquement au mode prédéfini.
4. Selon le poids et la taille du patient, réglez la pression sur le niveau le plus confortable sans provoquer une descente. Lorsque la pression dans le matelas atteint le niveau souhaité, le matelas à air est prêt à être utilisé.

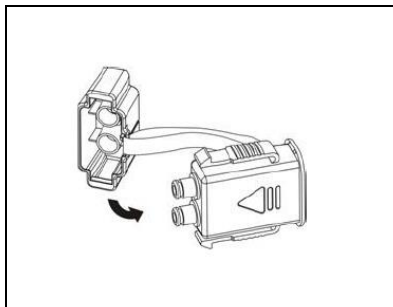
4.2 Opérations de RCP d'urgence



⚠REMARQUE - En cas d'urgence à effectuer une RCP sur le patient, tournez rapidement le bouton RCP pour évacuer l'air du matelas. Le bouton RCP se situe à l'extrémité côté tête, à droite du matelas. Le connecteur rapide de l'unité de pompe peut être débranché pour un dégonflage encore plus rapide.

⚠REMARQUE - Il y a 2 boutons RCP sur le matelas bariatrique (42" & 48").

4.3 Transport



⚠REMARQUE - En cas de panne de courant ou de besoin de transporter le patient, le connecteur rapide peut être bouché comme indiqué à gauche pour ralentir la fuite d'air. En fonction du réglage et de la hauteur du matelas, le matelas peut rester gonflé pendant un certain temps.

⚠AVERTISSEMENT : En cas de problème de descente, veuillez sortir le patient du matelas qui se dégonfle pour le placer sur une autre surface appropriée.

5. Nettoyage

Il est important de respecter les procédures de nettoyage pour éviter la contamination croisée. Assurez-vous de nettoyer la surface dans un environnement sec et exempt de poussière. Essuyez l'unité de pompe avec un chiffon humide pré-imprégné avec un détergent doux. Évitez le contact avec la poussière et la proximité avec les zones poussiéreuses. Assurez-vous que les produits de nettoyage que vous utilisez n'endommageront pas ou ne corroderont pas le boîtier en plastique sur l'unité de pompe. Si les installations médicales ou de votre médecin possèdent d'autres instructions de nettoyage spéciales, veuillez respecter les instructions professionnelles.

⚠MISE EN GARDE - N'immergez pas ou ne trempez pas l'unité de pompe.

⚠AVERTISSEMENT - N'enlevez pas le boîtier de la pompe pour éviter tout risque de décharge électrique. Tous les démontages et toutes les réparations doivent être effectués par des techniciens professionnels.

⚠MISE EN GARDE - La pompe ne nécessite pas de lubrification par huile ; veuillez ne pas démonter le système.

<p>Matière de la housse :</p> <ul style="list-style-type: none"> Nylon/PU 	
---	--

Essuyez l'unité de matelas avec un chiffon humide pré-imprégné avec de l'eau tiède contenant un détergent doux ou un javellisant puis un désinfectant de niveau intermédiaire approuvé. De plus, la housse supérieure du matelas peut être complètement retirée pour la laver à la température d'eau indiquée sur l'étiquette de lavage ; cependant, il est recommandé que l'utilisateur consulte toujours la politique locale pour déterminer le rapport durée/température nécessaire pour atteindre la désinfection thermique. La housse peut également être nettoyée avec de l'hypochlorite de sodium dilué dans de l'eau. Après le nettoyage, veuillez éviter la poussière et la proximité avec les zones poussiéreuses. De plus, toutes les pièces doivent être soigneusement séchées à l'air avant utilisation.

⚠MISE EN GARDE - N'utilisez pas de produit à base de phénol pour le nettoyage.

⚠MISE EN GARDE - Après le nettoyage, séchez le matelas sans exposition directe à la lumière du soleil.

⚠MISE EN GARDE - Avant le début du processus de nettoyage, retirez les quatre mousses à l'intérieur des poches lorsque vous utilisez le couvercle en option avec une mitre latérale.

6. Stockage

1. Pour stocker le matelas, posez le matelas à plat et à l'envers.
2. Enroulez-le de l'extrémité côté tête vers l'extrémité côté pieds avec la valve RCP ouverte.
3. La sangle de l'extrémité côté pieds peut ensuite être tendue autour du matelas enroulé pour empêcher son déroulement.

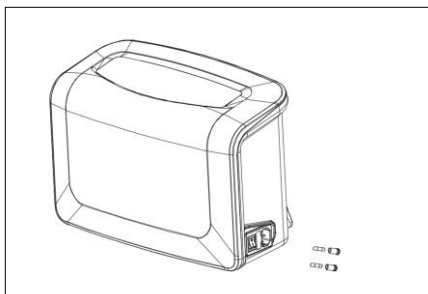
⚠ REMARQUE - N'entortillez pas, ne froissez pas et n'empilez pas les matelas et ne stockez pas le système à la lumière directe du soleil, à des températures élevées ou dans une zone humide.

7. Maintenance

7.1 Général

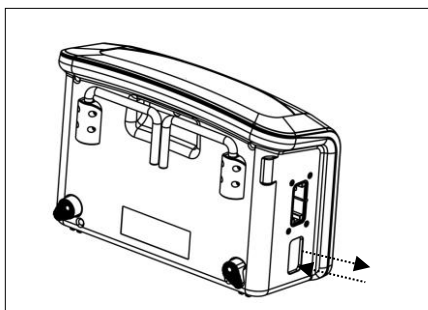
1. Vérifiez la présence d'abrasions ou d'usure excessive sur le cordon et la fiche d'alimentation principale.
2. Vérifiez que la housse de matelas ne présente pas de signes d'usure ou de dommages. Assurez-vous que la housse de matelas et les tubes sont bien raccordés.
3. Vérifiez le flux d'air provenant du connecteur rapide. Le flux d'air doit alterner entre chaque connecteur à chaque demi-cycle s'il est en mode alternatif.
4. Vérifiez si les tuyaux d'air sont entortillés ou percés. Pour un remplacement, veuillez contacter le point d'achat.

7.2 Remplacement des fusibles



1. Débranchez la prise de l'alimentation secteur si vous suspectez qu'un fusible est grillé.
2. Utilisez un outil approprié pour enlever le couvercle du porte-fusible.
3. Insérez un nouveau fusible avec le calibre correct et remettez le porte-fusible dans la bonne position. Le fusible doit avoir un calibre de type F1AL /250 V

7.3 Remplacement du filtre à air



1. Remplacez le filtre à air situé sur le côté de la pompe.
2. Le filtre est réutilisable et peut être lavé délicatement avec un détergent doux et de l'eau. Faites sécher le filtre à l'air avant de l'utiliser.
3. Vérifiez et remplacez le filtre à air régulièrement.

8. Durée de vie prévue

Les produits sont destinés à assurer un fonctionnement sûr et fiable en cas d'utilisation ou d'installation conformément aux instructions fournies par Apex Medical. Apex Medical recommande que le système soit inspecté et entretenu par des techniciens autorisés s'il présente des signes d'usure ou en cas de problèmes de fonctionnement de l'appareil et d'indications sur les produits. Dans le cas contraire, l'entretien et l'inspection des appareils ne sont généralement pas requis.

9. Dépannage

Q1 L'appareil n'est pas sous tension

- Vérifiez si la fiche est branchée au secteur.
- Vérifiez la présence d'un fusible grillé.

Q2 L'alarme Basse pression est activée

- Vérifiez si le connecteur rapide est solidement raccordé.
- Vérifiez si tous les tubes le long du matelas sont solidement raccordés.
- Vérifiez si les tuyaux d'air sont entortillés ou percés.

Q3 L'alarme Panne électrique est activée

- Vérifiez si l'alimentation est brusquement coupée.
- Vérifiez si le cordon d'alimentation est correctement branché.

Q4 Le patient descend

- Le réglage de la pression n'est peut-être pas adéquat pour le patient, augmentez la plage de confort de 1 à 2 niveaux et attendez quelques minutes pour obtenir le meilleur confort possible.

Q5 La forme du matelas est lâche

- Vérifiez si tous les boutons-pression ou toutes les sangles du matelas sont solidement fixé(e)s.
- Vérifiez si le matelas est fixé au cadre du lit avec des sangles.

Q6 Pas d'air produit par certaines sorties d'air du connecteur du tube d'air

- Cela est normal en mode alternatif. Les sorties d'air produisent de l'air à tour de rôle pendant leur temps de cycle.

Si les informations ci-dessus ne résolvent pas vos problèmes, veuillez contacter directement le point d'achat. Un technicien peut être nécessaire pour régler le problème.

10. Spécifications techniques

Élément		Spécifications		
Alimentation électrique (Remarque : Voir l'étiquette signalétique sur le produit)		CA 110-120 V 60 Hz, 0,17 A		
Calibre du fusible		F1AL, 250 V		
Temps de cycle		Quatre sélectionnables (10, 15, 20, 25 min)		
Dimensions (L x l x H)		34,0 x 15,0 x 23,4 cm / 13,4" x 5,9" x 9,2"		
Poids		3,1 kg / 6,83 lb		
Environnement	Pression atmosphérique	700 hPa à 1060 hPa		
	Température	Fonctionnement : 10°C à 40°C (50°F à 104°F) Stockage : -15°C à 50°C (5°F à 122°F) Transport : -15°C à 70°C (5°F à 158°F)		
	Humidité	Fonctionnement : 10 % à 90 % sans condensation Stockage : 10 % à 90 % sans condensation Transport : 10 % à 90 % sans condensation		
Classification		Classe II avec fonction Terre, Type BF, IP21 Partie appliquée : Matelas à air Non adapté à une utilisation en présence d'un mélange anesthésique inflammable (Aucune protection AP ou APG)		
Matelas		Spécifications		
Modèle		Matelas 8"		
sizes of matelas		36" matelas	42" matelas	48" matelas
Dimensions (L x l x H)		200 x 90 x 20,3 cm 78,7" x 35,4" x 8"	200 x 107 x 20,3 cm 78,7" x 42" x 8"	200 x 122 x 20,3 cm 78,7" x 48" x 8"
Poids		7,5 kg / 16,5 lb	8,5 kg / 18,8 lb	9,5 kg / 21,0 lb
Capacité de charge maximum		200 kg/ 450 lb	430 kg 950 lb	430 kg 950 lb

REMARQUE-

1. Consultez le distributeur ou le représentant de l'UE pour obtenir d'autres documents techniques.
2. Les spécifications sont également adaptées à d'autres zones fonctionnant avec la même alimentation électrique.
3. Les dimensions et le poids du matelas sont mesurés sans coussin en mousse
4. Le fabricant se réserve le droit de modifier les spécifications sans préavis.

Annexe A : Informations CEM

Directive et déclaration du fabricant – Émissions électromagnétiques :

Cet appareil est destiné à être utilisé dans l'environnement électromagnétique spécifié ci-dessous. L'utilisateur de cet appareil doit s'assurer qu'il est utilisé dans cet environnement.

Test d'émissions	Conformité	Environnement électromagnétique-Conseils
Émissions RF CISPR 11	Groupe 1	L'appareil utilise de l'énergie RF uniquement pour son fonctionnement interne. Par conséquent, ses émissions RF sont très faibles et ne sont pas susceptibles de causer des interférences sur les équipements électroniques situés à proximité.
Émissions RF CISPR 11	Classe B	L'appareil est adapté à une utilisation dans tous les établissements, y compris les habitations et les établissements directement raccordés au réseau public d'alimentation électrique à basse tension.
Émissions harmoniques IEC61000-3-2	Classe A	
Fluctuations de tension / Émissions de scintillement IEC61000-3-3	Conforme	




Avertissement :

1. L'appareil ne doit pas être utilisé à proximité ou empilé avec d'autres équipements. Si une utilisation adjacente ou empilée est nécessaire, l'appareil doit être observé pour vérifier son fonctionnement normal dans la configuration dans laquelle il va être utilisé.
2. L'utilisation d'accessoires, de transducteurs et de câbles autres que ceux spécifiés ou fournis par le fabricant de cet équipement peut entraîner une augmentation des émissions électromagnétiques ou une diminution de l'immunité électromagnétique de cet équipement et causer un fonctionnement incorrect.
3. Les équipements de communications RF portables (y compris les périphériques tels que les câbles d'antenne et les antennes externes) ne doivent pas être utilisés à moins de 30 cm (12 pouces) de n'importe quelle partie de la pompe, y compris les câbles spécifiés par le fabricant. Dans le cas contraire, une dégradation des performances de cet équipement peut se produire.

Conseils et déclaration du fabricant – Immunité électromagnétique :

Cet appareil est destiné à être utilisé dans l'environnement électromagnétique spécifié ci-dessous. L'utilisateur de cet appareil doit s'assurer qu'il est utilisé dans cet environnement.

Niveaux de tests d'immunité				
Norme CEM de base	Environnement d'établissement de soins de santé professionnels	ENVIRONNEMENT DE SOINS DE SANTÉ À DOMICILE	Niveaux de conformité	Environnement électromagnétique-Conseils
Décharge électrostatique (ESD) IEC61000-4-2	±8 kV contact ±15 kV air		±8 kV contact ±15 kV air	Les sols doivent être en bois, en béton ou en carrelage. Si les sols sont recouverts de matière synthétique, l'humidité relative doit être au moins de 30 %.
Transitoires rapides/salves électriques IEC61000-4-4	±2 kV pour ligne d'alimentation électrique ±1 kV pour ligne d'entrée/sortie		±2 kV pour ligne d'alimentation électrique ±1 kV pour ligne d'entrée/sortie	La qualité de l'alimentation secteur doit être celle d'un environnement commercial ou hospitalier type
Surtension IEC61000-4-5	± 1 kV ligne(s) vers ligne(s) ± 2 kV ligne(s) vers terre	± 1 kV ligne(s) vers ligne(s)	± 1 kV ligne(s) vers ligne(s) ± 2 kV ligne(s) vers terre	La qualité de l'alimentation secteur doit être celle d'un environnement commercial ou hospitalier type.
Chutes de tension, courtes interruptions et variations de tension sur les lignes d'entrée de l'alimentation électrique IEC61000-4-11	Chutes de tension : i) Réduction de 100 % pour 0,5 période, ii) Réduction de 100 % pour 1 période, iii) Réduction de 30 % pour 25/30 périodes, Interruptions de tension : Réduction de 100 % pour 250/300 périodes		120 V	La qualité de l'alimentation secteur doit être celle d'un environnement commercial ou hospitalier type. Si l'utilisateur de cet appareil nécessite un fonctionnement continu pendant des interruptions d'alimentation secteur, il est recommandé que l'appareil soit alimenté depuis une alimentation sans interruption ou une batterie.
Fréquence d'alimentation Champ magnétique (50/60 Hz) IEC61000-4-8	30 A/m	30 A/m	30 A/m	Les champs magnétiques de la fréquence d'alimentation doivent présenter des niveaux caractéristiques d'un emplacement type dans un environnement commercial ou hospitalier type.
RF conduites IEC 61000-4-6	3 V RMS 0,15 MHz – 80 MHz 6 V RMS dans les bandes ISM entre 0,15 MHz et 80 MHz 80 % AM à 1 kHz	3 V RMS 0,15 MHz – 80 MHz 6 V RMS dans les bandes radio amateur et ISM entre 0,15 MHz et 80 MHz 80 % AM à 1 kHz	6 V RMS	Les équipements de communications RF portables et mobiles ne doivent pas être utilisés plus près de n'importe quelle partie de cet appareil, y compris les câbles, que la distance de séparation recommandée calculée à partir de l'équation applicable à la fréquence de

RF EM rayonnés Champs IEC61000-4-3	3 V/m 80 MHz à 2,7 GHz 80 % AM à 1 kHz 385-6000 MHz, 9-28 V/m, 80 % AM (1 kHz) mode impulsion et autre modulation	10 V/m 80 MHz à 2,7 GHz 80 % AM à 1 kHz 385-6000 MHz, 9-28 V/m, 80 % AM (1 kHz) mode impulsion et autre modulation	3 V/m	l'émetteur. Distance de séparation recommandée $d = \sqrt{P}$ 150 kHz à 80 MHz $d = 0,6\sqrt{P}$ 80 MHz à 800 MHz $d = 1,2\sqrt{P}$ 800 MHz à 2,7 GHz Où P est la puissance de sortie maximum nominale de l'émetteur en Watts (W) selon le fabricant de l'émetteur et d est la distance de séparation recommandée en mètres (m). ^b Les intensités de champ magnétique provenant des émetteurs RF fixes, telles que déterminées par une étude électromagnétique du site, ^a doivent être inférieures au niveau de conformité dans chaque plage de fréquence. Des interférences peuvent se produire dans le voisinage d'un équipement marqué avec le symbole suivant : 
--	---	--	-------	---

REMARQUE 1 : U_T est la tension secteur CA avant l'application du niveau de test

REMARQUE 2 : À 80 MHz et 800 MHz, la plage de fréquence supérieure s'applique.

REMARQUE 3 : Ces directives peuvent ne pas s'appliquer dans toutes les situations. La propagation électromagnétique est affectée par l'absorption et la réflexion des structures, des objets et des personnes

a) Les intensités de champ magnétique provenant d'émetteurs fixes, tels que les stations de base pour les téléphones radio (cellulaires/sans fil) et les radios mobile terrestres, les radios amateur, la diffusion radio AM et FM ainsi que la diffusion TV, ne peuvent pas être prévues théoriquement avec précision. Pour évaluer l'environnement électromagnétique dû à des émetteurs RF fixes, une étude électromagnétique du site doit être envisagée. Si l'intensité de champ magnétique mesurée à l'emplacement dans lequel l'appareil est utilisé dépasse le niveau de conformité RF applicable ci-dessus, l'appareil doit être contrôlé pour vérifier son fonctionnement normal. Si des performances anormales sont constatées, des mesures supplémentaires peuvent être nécessaires, telles que la réorientation ou le déplacement de l'appareil.

b) Sur la plage de fréquence de 150 kHz à 80 MHz, les intensités de champ magnétique doivent être inférieures à 10 V/m.

Distances de séparation recommandées entre les équipements de communications RF portables et mobiles et cet appareil :

Cet appareil est destiné à être utilisé dans un environnement électromagnétique dans lequel les perturbations RF rayonnées sont contrôlées. Le client ou l'utilisateur de cet appareil peut contribuer à empêcher les interférences électromagnétiques en maintenant une distance minimum entre les équipements de communications RF portables et mobiles (émetteurs) et cet appareil selon les recommandations ci-dessous, en fonction de la puissance de sortie maximum des équipements de communications.

Puissance de sortie maximum nominale de l'émetteur W	150 kHz à 80 MHz $d = \sqrt{P}$	80 MHz à 800 MHz $d = 0,6\sqrt{P}$	800 MHz à 2,7 GHz $d = 1,2\sqrt{P}$
0,01	0,1	0,06	0,12
0,1	0,31	0,19	0,38
1	1	0,6	1,2
10	3,1	1,9	3,8
100	10	6	12

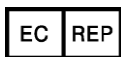
Pour les émetteurs ayant une puissance de sortie maximum nominale non indiquée ci-dessus, la distance de séparation recommandée d en mètres (m) peut être estimée à l'aide de l'équation applicable à la fréquence de l'émetteur, où P est la puissance de sortie maximum nominale de l'émetteur en Watts (W) selon le fabricant de l'émetteur.

Remarque 1 : À 80 MHz et 800 MHz, la distance de séparation pour la plage de fréquence supérieure s'applique.

Remarque 2 : Ces directives peuvent ne pas s'appliquer dans toutes les situations. La propagation électromagnétique est affectée par l'absorption et la réflexion des structures, des objets et des personnes.

USA

Apex Medical USA Corp.
927 Mariner Street, Brea, CA 92821



APEX MEDICAL S.L.

Elcano 9, 6ª planta
48008 Bilbao. Vizcaya. Spain



APEX MEDICAL CORP.

No.9, Min Sheng St., Tu-Cheng,
New Taipei City, 23679, Taiwan

www.apexmedicalcorp.com

Print-2018/All rights reserved
876001-6680 V1.1